

---

**User's  
Manual**



Models 436101/436102/436103/436104/436106/  
437101/437102/437103/437104/437106/  
437112/437118/437124

**μR10000/μR20000  
Communication Interface**

---

**vigilantplant.™**

---

## Foreword

Thank you for purchasing the YOKOGAWA  $\mu$ R10000/ $\mu$ R20000 Recorder. This user's manual describes the functions of the Ethernet interface and the RS-422A/485 communication interface. To ensure correct use, please read this manual thoroughly before beginning operation.

After reading the manual, keep it in a convenient location for quick reference whenever a question arises during operation.

The following five manuals, including this one, are provided as manuals for the  $\mu$ R10000/ $\mu$ R20000 Recorder. Please read all of them.

The figures used in this manual are mostly of the  $\mu$ R10000. If you are using the  $\mu$ R20000, refer to the figures for reference.

### • Paper Manual

Manual Title	Manual No.	Description
$\mu$ R10000 Recorder Operation Guide	IM 04P01B01-02E	Explains the basic operations of the $\mu$ R10000 recorder.
$\mu$ R20000 Recorder Operation Guide	IM 04P02B01-02E	Explains the basic operations of the $\mu$ R20000 recorder.

### • Electronic Manuals Provided on the Accompanying CD-ROM

Manual Title	Manual No.	Description
$\mu$ R10000 Recorder User's Manual	IM 04P01B01-01E	Explains all the functions and procedures of the $\mu$ R10000 recorder excluding the communication functions.
$\mu$ R20000 Recorder User's Manual	IM 04P02B01-01E	Explains all the functions and procedures of the $\mu$ R20000 recorder excluding the communication functions.
$\mu$ R10000/ $\mu$ R20000 Communication Interface User's Manual	IM 04P01B01-17E	This manual. Explains the functions of the Ethernet interface and the RS-422A/485 communication interface.

## Notes

- The contents of this manual are subject to change without prior notice as a result of continuing improvements to the instrument's performance and functions. The figures given in this manual may differ from those that actually appear on your screen.
- Every effort has been made in the preparation of this manual to ensure the accuracy of its contents. However, should you have any questions or find any errors, please contact your nearest YOKOGAWA dealer as listed on the back cover of this manual.
- Copying or reproducing all or any part of the contents of this manual without the permission of Yokogawa Electric Corporation is strictly prohibited.
- The TCP/IP software of this product and the document concerning the TCP/IP software have been developed/created by YOKOGAWA based on the BSD Networking Software, Release 1 that has been licensed from the University of California.

## Revisions

- 1st Edition    December 2004
- 2nd Edition    March 2005
- 3rd Edition    August 2005
- 4th Edition    September 2006

## Trademarks

- All the brands or names of Yokogawa Electric's products used in this manual are either trademarks or registered trademarks of Yokogawa Electric Corporation.
- Microsoft, MS-DOS, Windows, Windows NT, and Windows XP are either registered trademarks or trademarks of Microsoft Corporation in the United States and/or other countries.
- Adobe, Acrobat, and PostScript are trademarks of Adobe Systems incorporated.
- For purposes of this manual, the TM and ® symbols do not accompany their respective trademark names or registered trademark names.
- Other company and product names are trademarks or registered trademarks of their respective holders.

## Functional Enhancement of the Recorder

The functions of the recorder have been added or changed as shown in the figure below. You can check the system version on the system display. For details, see the *μR10000 User's Manual (IM 04P01B01-01E)* or the *μR20000 User's Manual (IM 04P02B01-01E)*.

Version	Suffix Code	Added or Modified Functions	Reference
<b>μR10000 only</b>			
1.11	–	(Changed) Expanded the selectable range of alarm values during linear scaling (including 1-5V and SQRT) to –5% to 105% of the scale.	Sec. 4.4: SA command
	–	(Changed) The procedure to set the start/end date and time of Daylight Saving Time (DST) has been changed. The TD command can be used on the μR20000 and the μR10000 with system version 1.11. The SS command can be used on the μR10000 with system version 1.02 or earlier.	Sec. 4.4: TD command
	–	(Added) The print/display format of the date can be changed.	Sec. 4.5: XN command
	/C3	(Changed) Modbus slave protocol can be used. Two-wire system.	Sec. 4.5: YS command Sec. 3.2
	/C7	(Changed) Users with the same user name cannot be registered.	Sec. 2.5
<b>Common to μR10000 and μR20000</b>			
1.21	-2	(Added) Language support (German and French).	Sec. 4.5: UL command
	/CC1	(Added) Calibration Correction.	Sec. 4.4: VL commands Sec. 4.5: UQ and UF commands
1.31	–	(Added) Customized menu.	Sec. 4.5: UG and UH commands
	/BT1	(Added) Header printout.	Sec. 4.4: VH, VC, VP, VA, VM, and VD commands Sec. 4.5: UE and XR commands
	–	(Added) Hold registers 40301 to 40348 (floating type register for communication input data) for Modbus communication.	Sec. 3.4

---

# How to Use This Manual

## Structure of the Manual

This user's manual consists of the following sections.

---

**Chapter 1 Overview of the Communication Functions**

Gives an overview of the communication functions.

---

**Chapter 2 Using the Ethernet Interface (/C7 Option)**

Explains the specifications of the Ethernet interface and how to use the interface.

---

**Chapter 3 Using the RS-422A/485 Communication Interface (/C3 Option)**

Explains the specifications of the RS-422A/485 communication interface and how to use the interface.

---

**Chapter 4 Commands**

Explains each command that is available.

---

**Chapter 5 Responses**

Explains the responses that the recorder returns and the output format of the setup data and measured/computed data.

---

**Chapter 6 Status Information**

Explains the registers that indicate the recorder statuses.

---

**Appendix**

Provides an ASCII character code table, flow charts for outputting data from the recorder, login procedure, and a list of error messages.

---

**Index**

Index of contents.

---

## Conventions Used in This Manual

- **Unit**
  - k: Denotes 1000. Example: 5 kg, 100 kHz
  - K: Denotes 1024. Example: 640 KB

- **Note**

The following markings are used in this manual.



*Improper handling or use can lead to injury to the user or damage to the instrument.* This symbol appears on the instrument to indicate that the user must refer to the user's manual for special instructions. The same symbol appears in the corresponding place in the user's manual to identify those instructions. In the manual, the symbol is used in conjunction with the word "WARNING" or "CAUTION."

**WARNING**

Calls attention to actions or conditions that could cause serious or fatal injury to the user, and precautions that can be taken to prevent such occurrences.

**CAUTION**

Calls attentions to actions or conditions that could cause light injury to the user or damage to the instrument or user's data, and precautions that can be taken to prevent such occurrences.

**Note**

Calls attention to information that is important for proper operation of the instrument.

- **Bold Characters**

Bold characters are mainly characters and numbers that appear on the display.

- **Subheadings**

On pages that describe the operating procedures in Chapter 2 and 3, the following symbols are used to distinguish the procedures from their explanations.

**Explanation**

This subsection describes the setup parameters and the limitations on the procedures.

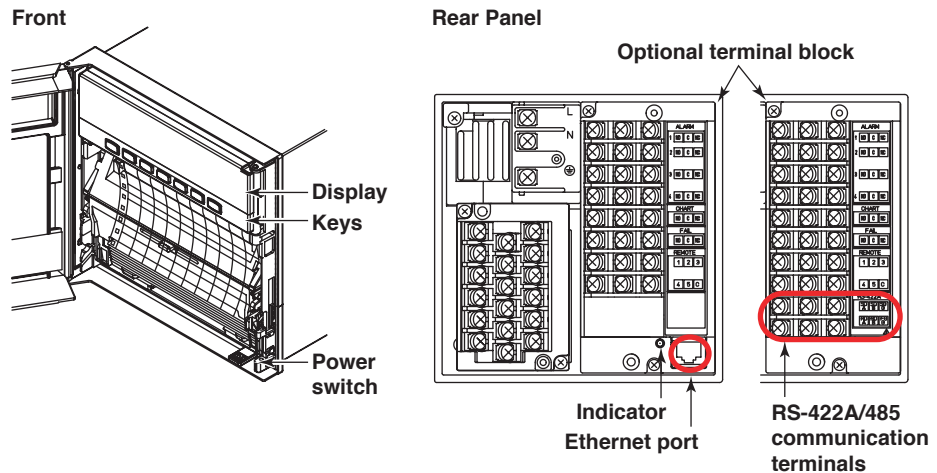
**Procedure**

Follow the numbered steps. All procedures are written with inexperienced users in mind; depending on the operation, not all steps need to be taken.

# Names of Parts and Basic Key Operations

## Display and Keys

You use the panel keys and the display to configure the communication functions. For a description of other parts of the recorder, see section 3.1 in the *Recorder User's Manual*. (The figure below is of the  $\mu$ R10000 Recorder.)



## Keys

<While setting functions, when the FUNC key/DISP MENU key is pressed>

**CHARACTER Key:** Changes the character type when entering a character. Press this key while holding down the SHIFT key to switch the character type in reverse order.

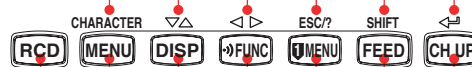
**UP/DOWN Key:** Switches the setup item or the value. Press this key while holding down the SHIFT key to switch the setup item or the value in reverse order.

**LEFT/RIGHT Key:** Moves the cursor to the right when entering a value or character. Press this key while holding down the SHIFT key to move the cursor to the left.

**ESC Key:** Cancels the operation. When pressed with the SHIFT key, the display of the comment on the setting turns ON/OFF.

**SHIFT Key:** Used with the  $\nabla/\Delta$  key,  $\leftarrow/\rightarrow$  key, or the CHARACTER key.

**ENTER Key:** Confirms the setup item or value.



<During normal operation>

**CH UP key**  
Switches the displayed channel.  
(when manual switching is specified)

**FEED key**  
Feeds the chart paper.

**DISP MENU key**  
Hold this key down for 3 seconds to switch to the data display setup screen. Hold this key down for 3 seconds also to exit from the data display setup screen.

**FUNC key**  
Used when executing manual printout, message printout, etc.

**DISP key**  
Switches the screen in the main display.

**MENU key**  
Hold this key down for 3 seconds to enter Setting mode. Hold this key down for 3 seconds also to exit from Setting mode.

**RCD key**  
Starts/stops recording.

## Basic Key Operations

This section describes basic operations on the front panel keys to change various settings.

- **Execution Modes**

The recorder has the following execution modes.

- Operation mode: A mode used to perform recording and monitoring.
- Setting mode: A mode used to set the input range, alarms, chart speed, and other parameters.
- Basic Setting mode: A mode used to set the basic specifications of functions with the recording operation stopped.

\* In the explanation of commands in (chapter 4), Run mode collectively refers to Operation mode and Setting mode.

Settings related to communications are configured in Basic Setting mode. You cannot enter Basic Setting mode while the recorder is recording or while computation is in progress on the computation function (/M1 option).

- **Entering Basic Setting Mode**

Hold down the **(MENU)** key for 3 seconds.

The Setting mode display appears.

```
Set=Range
Input range and s
```

The panel keys are set to the functions marked above the keys as shown below.



Hold down both the **▽△ (DISP)** key and the **◀▶ (FUNC)** key for 3 seconds.

The Basic Setting mode display appears. The top and bottom lines are the setup item and comment, respectively. The section that is blinking in the setup item that you change. In this manual, the section that you change appears shaded.

The comment line shows useful information such as a description of the setup item and the range of selectable values. Read the comment and change the items as necessary.

Setup item → `Basic=Alarm` ← The item to be controlled blinks.  
 Comment → `Auxiliary alarm`

- **Selecting the Setup Item and Value**

The selected item change each time you press the **▽△ (DISP)** key. The selected item change in reverse order if you press the **▽△ (DISP)** while holding down the **SHIFT (FEED)** key.

```
Basic=Ethernet ← Selections
```

This manual denotes the operation of pressing a key while holding down the **SHIFT (FEED)** key as **SHIFT +** the other key (for example: **SHIFT + ▽△** key).

After you make a selection, press the **◀▶ (CH UP)** key. The next screen appears. When the **Setting Complete** screen appears, the changed item is applied.

```
Ethernet host
Setting complete
```

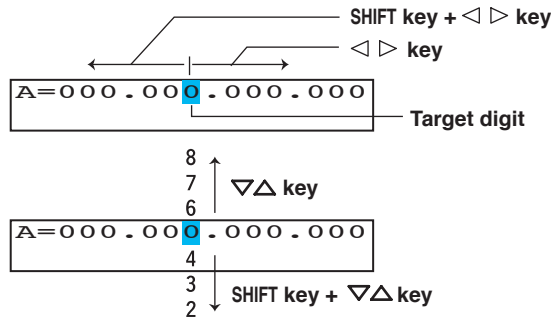
- **Using the ESC Key**

If you press the **ESC (MENU)** key, the operation is cancelled, and the display returns to a higher level menu. If you do not show the Setting Complete screen, the changes you made up to that point are discarded.

You can show and hide the comment on the bottom line by pressing the **ESC (MENU)** key while holding down the **SHIFT (FEED)** key.

• **Entering Values**

Use the  $\triangleleft \triangleright$  key or **SHIFT** +  $\triangleleft \triangleright$  key to move the cursor. Use the  $\nabla \Delta$  key or **SHIFT** +  $\nabla \Delta$  key to change a digit value. You repeat these steps to enter the value.

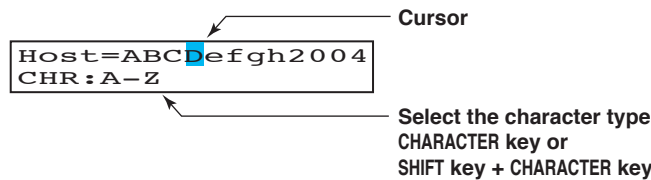


When you press the  $\triangleleft \triangleright$  key, the change is applied and the next setup item is displayed.

• **Entering Characters**

Use the  $\triangleleft \triangleright$  key or **SHIFT** +  $\triangleleft \triangleright$  key to move the cursor.

Use the **CHARACTER** key or **SHIFT** + **CHARACTER** key to select the character type.

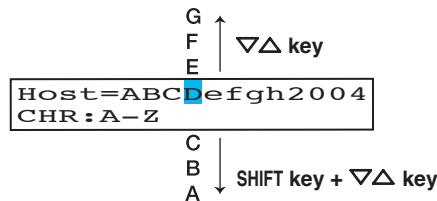


The character type changes in the following order: uppercase alphabet (**A-Z**), lowercase alphabet (**a-z**), numbers (**0-9**), and symbols (**%-.**).

<b>A-Z</b>	A to Z, and space
<b>a-z</b>	a to z, and space
<b>0-9</b>	0 to 9, and space
<b>%-.</b>	%, #, °, @, +, -, *, /, (, ), μ, Ω, ², ³, .., and space

Use the  $\nabla \Delta$  key or **SHIFT** +  $\nabla \Delta$  key to select a character.

You repeat these steps to set the character string.

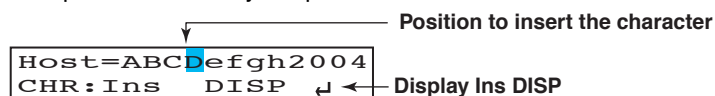


When you press the  $\triangleleft \triangleright$  key, the change is applied and the next screen is displayed.

**Inserting Characters**

Press the  $\triangleleft \triangleright$  key or **SHIFT** +  $\triangleleft \triangleright$  key to move the cursor to the position where the character is to be inserted.

Press the **CHARACTER** key or **SHIFT** + **CHARACTER** key to show **Ins DISP** and then press the  $\nabla \Delta$  key. A space for one character is inserted. Enter the character.



**Deleting a Character**

Use the  $\triangleleft \triangleright$  key or **SHIFT** +  $\triangleleft \triangleright$  key to move the cursor to the character to be deleted.

Press the **CHARACTER** key or **SHIFT** + **CHARACTER** key to show **Del DISP** and then press the  $\nabla \Delta$  key. The character is deleted.



### Deleting an Entire Character String

Press the **CHARACTER** key or **SHIFT + CHARACTER** key to show **Clear DISP** and then press the  $\nabla\Delta$  key. The entire character string is deleted.

### Copying & Pasting a Character String

Show the copy source character string.

Press the **CHARACTER** key or **SHIFT + CHARACTER** key to show **Copy DISP** and then press the  $\nabla\Delta$  key. The character string is saved to the memory.

Show the copy destination.

Press the **CHARACTER** key or **SHIFT + CHARACTER** key to show **Paste DISP** and then press the  $\nabla\Delta$  key. The character string is pasted.

- **Exiting from Basic Setting Mode**

Press the **ESC** key several times to return to the **Basic=** screen.

Press the  $\nabla\Delta$  key or **SHIFT +  $\nabla\Delta$**  key to select **End** and then press the  $\leftarrow$  key.

The setup save screen appears.

```
Basic=End
Save Setting
```

Press the  $\nabla\Delta$  key to select **Store** and then press the  $\leftarrow$  key.

The setting is applied and the Operation mode screen appears.

If you select **Abort** and press the  $\leftarrow$  key, the setting is discarded and the Operation mode screen appears.

```
End=Store
Save settings and
```

# Contents

Foreword .....	i
Functional Enhancement of the Recorder .....	ii
How to Use This Manual .....	iii
Names of Parts and Basic Key Operations .....	v
<b>Chapter 1 Overview of the Communication Functions</b>	
1.1 Communication Functions Using the Ethernet Interface (/C7 Option) .....	1-1
Functional Construction .....	1-1
Setting/Measurement Server .....	1-1
Maintenance/Test Server .....	1-2
Instrument Information Server .....	1-2
Other Functions .....	1-3
1.2 Communication Functions Using the RS-422A/485 Communication Interface (/C3 Option) .....	1-4
Functional Construction .....	1-4
Setting/Measurement Server .....	1-4
Modbus Slave .....	1-4
<b>Chapter 2 Using the Ethernet Interface (/C7 Option)</b>	
2.1 Ethernet Interface Specifications .....	2-1
Basic Specifications .....	2-1
The Maximum Number of Simultaneous Connections and the Number of Simultaneous Use .....	2-1
2.2 Connecting the Ethernet Interface .....	2-2
When Connecting Only the Recorder and a PC .....	2-2
When Connecting to a Preexisting Network .....	2-2
2.3 Configuring the Ethernet Interface .....	2-3
2.4 Checking the Connection Status .....	2-7
2.5 Registering Users .....	2-8
2.6 Setting the Communication Timeout and Keepalive .....	2-11
<b>Chapter 3 Using the RS-422A/485 Communication Interface (/C3 Option)</b>	
3.1 RS-422A/485 Communication Interface Specifications .....	3-1
△ 3.2 Terminal Arrangement and Signal Names and the Connection Procedure of the RS-422A/485 Communication Interface .....	3-2
Terminal Arrangement and Signal Names .....	3-2
Connection Procedure .....	3-2
Connection Example with a Host Computer .....	3-3
3.3 The Bit Structure of One Character and the Operation of the Receive Buffer .....	3-7
The Bit Structure of One Character .....	3-7
Receive Buffer and Received Data .....	3-7
3.4 Modbus Slave Protocol Specifications .....	3-8
Registers .....	3-9
Modbus Error Response .....	3-13
3.5 Setting the Serial Interface .....	3-14

## Chapter 4 Commands

4.1	Command Syntax .....	4-1
	Response .....	4-2
4.2	A List of Commands .....	4-3
	Execution Modes and User Levels .....	4-3
	Setting Commands .....	4-3
	Basic Setting Commands .....	4-4
	Control Commands .....	4-5
	Output Commands .....	4-5
	RS-422A/485 Dedicated Commands .....	4-5
	Maintenance/Test Commands .....	4-6
	Instrument Information Output Commands .....	4-6
4.3	Parameter Values .....	4-7
	Input Range .....	4-7
	Miscellaneous .....	4-9
4.4	Setting Commands .....	4-10
4.5	Basic Setting Commands .....	4-20
4.6	Control Commands .....	4-28
4.7	Output Commands .....	4-29
4.8	RS-422A/485 Dedicated Commands .....	4-31
4.9	Maintenance/Test Commands (Available when using the maintenance/test server function via Ethernet communications) .....	4-32
4.10	Instrument Information Output Commands (Available when using the instrument information server function via Ethernet communications) .....	4-33

## Chapter 5 Responses

5.1	Response Syntax .....	5-1
	Affirmative Response .....	5-1
	Single Negative Response .....	5-1
	Multiple Negative Responses .....	5-1
	ASCII Output .....	5-2
	BINARY Output .....	5-2
	RS-422A/485 Dedicated Commands and Responses .....	5-5
5.2	Output Format of ASCII Data .....	5-6
	Setting/Basic Setting data .....	5-6
	Decimal Point Position/Unit Information .....	5-7
	Measured/computed Data .....	5-8
	Report Data Generated by the Periodic Printout .....	5-10
	Status Information .....	5-12
	User Information .....	5-12
5.3	Output Format of BINARY Data .....	5-13
	Measured/Computed Data and FIFO Data .....	5-13

## Chapter 6 Status Information

6.1	Status Information and Filter .....	6-1
6.2	The Bit Structure of the Status Information .....	6-2
	Status Information 1 .....	6-2
	Status Information 2 .....	6-2
	Status Information 3 .....	6-2
	Status Information 4 .....	6-2

**Appendix**

Appendix 1 ASCII Character Codes ..... App-1  
Appendix 2 Output Flow of FIFO Data ..... App-2  
Appendix 3 Login Procedure ..... App-4  
Appendix 4 A List of Error Messages ..... App-6

**Index**

**1**  
**2**  
**3**  
**4**  
**5**  
**6**  
**App**  
**Index**

# 1.1 Communication Functions Using the Ethernet Interface (/C7 Option)

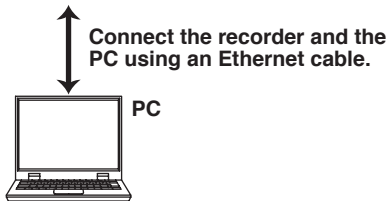
The recorder can be equipped with an optional Ethernet interface. For details on how to use the Ethernet interface, see chapter 2.

## Functional Construction

The following figure shows the relationship between the communication function of the recorder and the Ethernet interface. Perform communication according to the respective protocol.

\* Protocol is a set of rules that two computers use to communicate via a communication line (or network).

	<b>Communication functions of the recorder</b>		
	Setting/ Measurement Server	Maintenance/ Test Server	
<b>Application</b>	Login (user authentication/access privileges granting)		Instrument Information Server
<b>Upper layer protocol</b>	Dedicated protocol		
<b>Lower layer protocol</b>	TCP		UDP
	IP		
<b>Interface</b>	Ethernet (10BASE-T)		



TCP (Transmission Control Protocol)  
 UDP (User Datagram Protocol)  
 IP (Internet Protocol)

## Setting/Measurement Server

- You can specify settings that are approximately equivalent to those specified by front panel key operations. However, you cannot turn the power ON/OFF, set the user name and password for communications, nor set the key lock.
- The data below can be output.

Data Type	Output Format
Measured/computed data	BINARY/ASCII
Setup data	ASCII
Periodic printout and the most recent TLOG computation data	ASCII
Status information	ASCII
Information on connected users	ASCII

- The commands that can be used are Setting commands, Basic Setting commands, Control commands, and Output commands.

### <Related Topics>

- Ethernet interface settings: Section 2.3
- Commands: Section 4.2
- Data output format: Chapter 5

### Maintenance/Test Server

- Outputs Ethernet communication information such as connection information and network statistics from the recorder.
- The commands that can be used Maintenance/Test commands.

#### <Related Topics>

- Ethernet interface settings: Section 2.3
- Commands: Section 4.2

### Instrument Information Server

- Outputs the serial number, model name, and other information about the recorder connected via the Ethernet network.
- The commands that can be used Instrument Information Output commands.

#### <Related Topics>

- Ethernet interface settings: Section 2.3
- Commands: Section 4.2

## Other Functions

- **Login Function**

Only users that are registered in advance can access the Setting/Measurement and Maintenance/Test servers.

- Users are identified by their user name and password.
- You can register one administrator and six users.

### Administrator privileges

The administrator can use all the functions on the Setting/Measurement and Maintenance/Test servers

### User Privileges

- **Setting/Measurement server**  
Users can output measured data, setup data, scheduled printing, and the most recent TLOG computation data. Users cannot control the recorder.
- **Maintenance/Test server**  
Users cannot disconnect communications between the recorder and other PCs. All other operations are allowed.
- There is a maximum number of simultaneous connections that can be established with the recorder.

### <Related Topics>

- Login function settings: Section 2.5
- Maximum number of simultaneous connections: Section 2.1
- Commands available to the administrator and users: Section 4.2

- **Communication Timeout**

This function drops the connection with the PC if there is no data transmission for a given time at the application level (see “Functional Construction”). For example, this function prevents a PC from being connected to the recorder indefinitely which would prohibit other users from making new connections for data transfer.

### <Related Topics>

- Communication timeout setting: Section 2.6

- **Keepalive**

This function drops the connection if there is no response to the inspection packet that is periodically transmitted at the TCP level.

### <Related Topics>

- Keepalive setting: Section 2.6

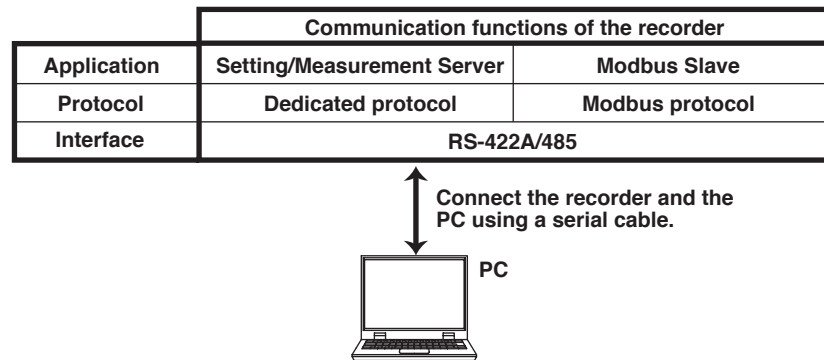
## 1.2 Communication Functions Using the RS-422A/485 Communication Interface (/C3 Option)

The recorder can be equipped with an optional RS-422A/485 communication interface. For details on how to use the RS-422A/485 communication interface, see chapter 3.

### Functional Construction

The following figure shows the relationship between the communication function of the recorder and the RS-422A/485 communication interface. Perform communication according to the respective protocol.

\* Protocol is a set of rules that two computers use to communicate via a communication line (or network).



### Setting/Measurement Server

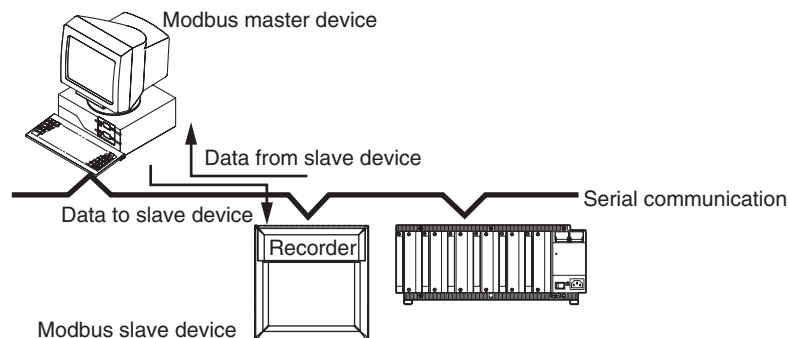
The functions are the same as those of the Setting/Measurement server of the Ethernet interface. See page 1-1.

#### <Related Topics>

- RS-422A/485 communication interface settings: Section 3.5
- Commands: Section 4.2
- RS-422A/485 dedicated commands: Section 4.8
- Data output format: Chapter 5

### Modbus Slave

- The Modbus protocol can be used to read the measured/computed data on your PC by reading the input registers of the recorder. The communication input data can be written or read by writing/reading the hold register of the recorder.
- For details on the Modbus function codes that the recorder supports, see section 3.4.
- This function can be used only when communicating via the serial interface (option).
- For a description on the settings required in using this function, see section 3.5.





## 2.1 Ethernet Interface Specifications

### Basic Specifications

Item	Specifications
Electrical and mechanical specifications	Conforms to IEEE 802.3 (Ethernet frames are of DIX specification)
Transmission medium type	10BASE-T
Protocol	TCP, IP, UDP, ICMP, and ARP

### The Maximum Number of Simultaneous Connections and the Number of Simultaneous Use

The following table shows the maximum number of simultaneous connections, the number of simultaneous users, and the port numbers of the recorder.

Function	Maximum Number of Connections	Number of Simultaneous Users		Port Number <sup>†</sup>
		<Administrators>	<Users>	
Setting/Measurement server	3	1	2 <sup>††</sup>	34260/tcp
Maintenance/Test server	1	1	1 <sup>††</sup>	34261/tcp
Instrument Information server	-	-	-	34264/udp

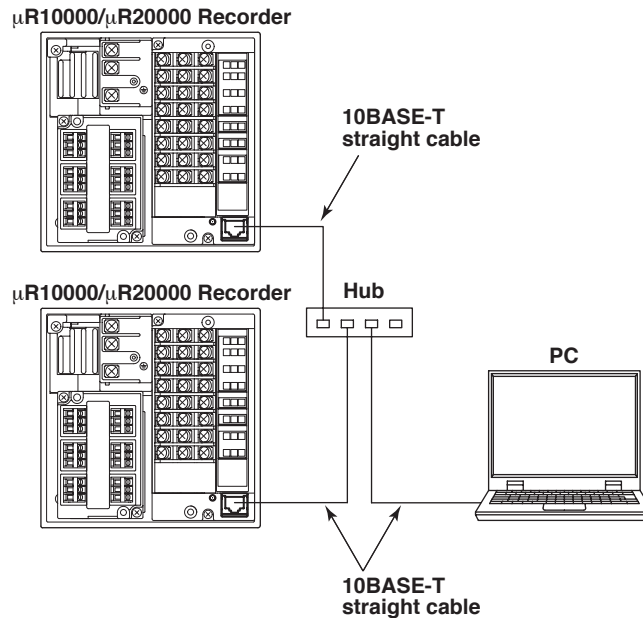
<sup>†</sup> The port numbers are fixed.

<sup>††</sup> For details on administrator and user privileges, see "Login Function" in section 1.1.

## 2.2 Connecting the Ethernet Interface

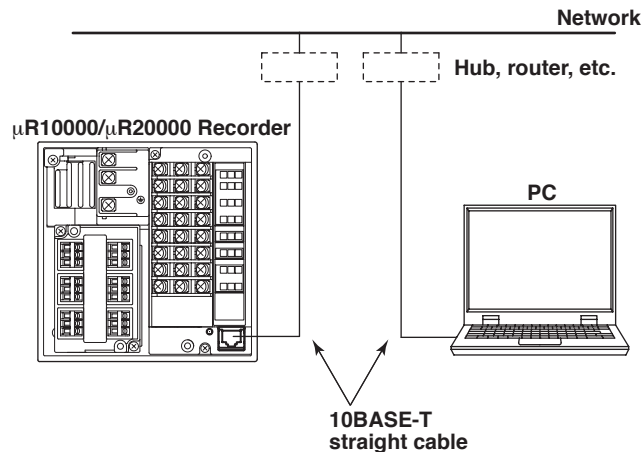
### When Connecting Only the Recorder and a PC

Connect the recorder and the PC via a HUB as in the following figure.



### When Connecting to a Preexisting Network

The following figure illustrates an example in which a recorder and a PC are connected to the network. When connecting the recorder or the PC to a preexisting network, the transfer rate, connector type, etc. must be matched. For details, consult your system or network administrator.



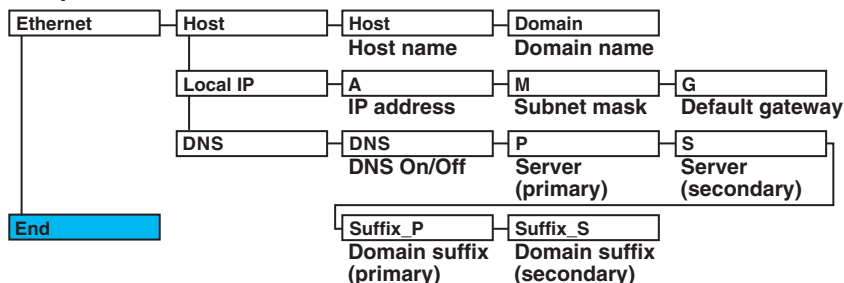
#### Note

- Depending on the reliability of the network or the volume of network traffic, all the transferred data may not be retrieved by the PC.
- Communication performance deteriorates if multiple PCs access the recorder simultaneously.

## 2.3 Configuring the Ethernet Interface

Set the host name and IP address of the recorder. You do not have to set the DNS (domain name system).

### Setup Items



### Procedure

For a description of the basic setup operations, see “Basic Key Operations” on page vi.

#### Entering Basic Setting Mode

Hold down the **MENU** key for 3 seconds to display the Setting mode screen.

Next, hold down both the **▽△ (DISP)** key and the **◀▶ (FUNC)** key for 3 seconds to display the Basic Setting mode screen.

#### Note

To cancel an operation, press the **ESC** key.

#### Host Name and Domain Name

1. Press the **▽△** key to select **Ethernet** and then press the **↵** key.

```
Basic=Ethernet
```

2. Press the **▽△** key to select **Host** and then press the **↵** key.

```
Ethernet=Host
```

3. Set the host name of the recorder and then press the **↵** key.

Key operations

- Use the **◀▶** key to select the digit for entering a character.
- Use the **CHARACTER** key to select the character type.
- Use the **▽△** key to select the character you wish to enter.

```
Host=
```

4. Set the domain name and press the **↵** key in the same fashion as in step 3. The setting complete screen appears.

```
Domain=
```

```
Ethernet host
Setting complete
```

5. Press the **ESC** key to return to the higher level menu. To save the settings and exit from Basic Setting mode, proceed to “Saving the Settings.”

\* When the **◀▶** key, **▽△** key, or **CHARACTER** key is pressed while holding down the **SHIFT** key, the operation is reversed as when the respective key is pressed by itself.

## 2.3 Configuring the Ethernet Interface

### IP Address, Subnet Mask, and Default Gateway

1. Press the  $\nabla\Delta$  key to select **Ethernet** and then press the  $\leftarrow$  key.

Basic=**Ethernet**

2. Press the  $\nabla\Delta$  key to select **Local IP** and then press the  $\leftarrow$  key.

Ethernet=**Local IP**

3. Set the IP address of the recorder and then press the  $\leftarrow$  key.

Key operations

- Use the  $\leftarrow$   $\rightarrow$  key to select the digit for entering a value.
- Use the  $\nabla\Delta$  key to select the value you wish to enter.

A=

4. Set the IP address of the subnet mask and then press the  $\leftarrow$  key in the same fashion as in step 3.

M=

5. Set the IP address of the default gateway and then press the  $\leftarrow$  key in the same fashion as in step 3.

The local IP setting complete screen appears.

G=



Ethernet address  
Setting complete

6. Press the **ESC** key to return to the higher level menu. To save the settings and exit from Basic Setting mode, proceed to "Saving the Settings."

### DNS (Domain Name System)

1. Press the  $\nabla\Delta$  key to select **Ethernet** and then press the  $\leftarrow$  key.

Basic=**Ethernet**

2. Press the  $\nabla\Delta$  key to select **DNS** and then press the  $\leftarrow$  key.

Ethernet=**DNS**

3. Press the  $\nabla\Delta$  key to select **On** and then press the  $\leftarrow$  key.

DNS=**On**

4. Set the IP address of the primary DNS server and then press the  $\leftarrow$  key.

Key operations

- Use the  $\leftarrow$   $\rightarrow$  key to select the digit for entering a value.
- Use the  $\nabla\Delta$  key to select the value you wish to enter.

P=

5. Set the IP address of the secondary DNS server and then press the  $\leftarrow$  key in the same fashion as in step 4.

S=

\* When the  $\leftarrow$   $\rightarrow$  key,  $\nabla\Delta$  key, or **CHARACTER** key is pressed while holding down the **SHIFT** key, the operation is reversed as when the respective key is pressed by itself.

6. Set the primary domain suffix and then press the  $\leftarrow$  key.

Key operations

- Use the  $\triangleleft \triangleright$  key to select the digit for entering a character.
- Use the **CHARACTER** key to select the character type.
- Use the  $\nabla \triangle$  key to select the character you wish to enter.

```
Suffix_P=
```

7. Set the secondary domain suffix and then press the  $\leftarrow$  key in the same fashion as in step 6.

The DNS setting complete screen appears.

```
Suffix_S=
```



```
Ethernet DNS  
Setting complete
```

8. Press the **ESC** key to return to the higher level menu. To save the settings and exit from Basic Setting mode, proceed to “Saving the Settings.”

### Saving the Settings

1. Press the **ESC** key to return to the **Basic=** screen.
2. Press the  $\nabla \triangle$  key to select **End** and then press the  $\leftarrow$  key.
3. Press the  $\nabla \triangle$  key to select **Store** and then press the  $\leftarrow$  key.  
The settings are activated, and the Operation mode screen appears.

### Explanation

For details on the settings, consult your system or network administrator.

#### • Host Name

Set the recorder's host name and the domain name of the network to which the recorder belongs. Be sure to set these items when using the DNS.

##### • Host

Set the recorder's host name using up to 64 alphanumeric characters.

##### • Domain

Set the network domain name to which the recorder belongs using up to 64 alphanumeric characters.

#### • IP Address, Subnet Mask, and Default Gateway

##### • IP address

- Set the IP address to assign to the recorder. The default value is 0.0.0.0.
- The IP address is used to distinguish between the various devices connected to the Internet when communicating using the TCP/IP protocol. The address is a 32-bit value normally expressed with four values (0 to 255), each separated by a period as in 192.168.111.24.

##### • M (Subnet Mask)

- Specify the mask that is used to determine the network address from the IP address. The default value is 0.0.0.0.
- Set this value according to the system or the network to which the recorder belongs. In some cases, this setting may not be necessary.

\* When the  $\triangleleft \triangleright$  key,  $\nabla \triangle$  key, or **CHARACTER** key is pressed while holding down the **SHIFT** key, the operation is reversed as when the respective key is pressed by itself.

## 2.3 Configuring the Ethernet Interface

---

- **G (Default Gateway)**
  - Set the IP address of the gateway (router, etc.) used to communicate with other networks. The default value is 0.0.0.0.
  - Set this value according to the system or the network to which the recorder belongs. In some cases, this setting may not be necessary.
  
- **Setting the DNS (Domain Name System)**

The DNS is a system that correlates the host name/domain name to the IP address. The host name/domain name can be used instead of the IP address when accessing the network. The DNS server manages the database that contains the host name/ domain name and IP address correlation.

  - **On/Off**

Select On when using the DNS.
  - **P (Primary DNS Server)**

Set the IP address of the primary DNS server. The default value is 0.0.0.0.
  - **S (Secondary DNS Server)**

Set the IP address of the secondary DNS server. The default value is 0.0.0.0. If the primary DNS server is down, the secondary server is used to search the host name and IP address correlation.
  - **Suffix\_P (Primary Domain Suffix), Suffix\_S (Secondary Domain Suffix)**

When the recorder searches another server using the DNS server, the domain name of the recorder is appended to the host name as a possible domain name if it is omitted. If the IP address corresponding to the server name is not found on the DNS server, then it may be that the system is configured to use another domain name for searching. This alternate domain name is specified as the domain suffix.

    - Set the domain suffix using up to 64 alphanumeric characters.
    - Up to two domain suffixes can be specified (primary and secondary).
  
- **Saving the Settings**

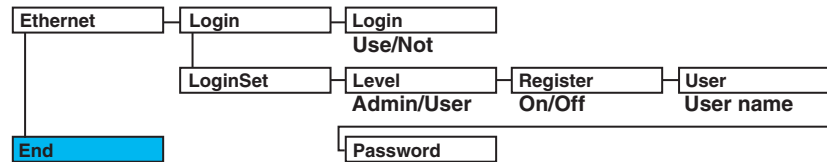
To activate the settings made in the Basic Setting mode, the settings must be saved.



## 2.5 Registering Users

Users that can access the recorder via the Ethernet network must be registered. This function is called login function.

### Setup Items



### Procedure

For a description of the basic operations, see “Basic Key Operations” on page vi.

### Entering Basic Setting Mode

Hold down the **(MENU)** key for 3 seconds to display the Setting mode screen.

Next, hold down both the **▽△ (DISP)** key and the **◀▶ (FUNC)** key for 3 seconds to display the Basic Setting mode screen.

### Note

To cancel an operation, press the **ESC** key.

### Enabling/Disabling the Login Function

1. Press the **▽△** key to select **Ethernet** and then press the **↵** key.

```
Basic=Ethernet
```

2. Press the **▽△** key to select **Login** and then press the **↵** key.

```
Ethernet=Login
```

3. Press the **▽△** key to select **Use** and then press the **↵** key.  
The setting complete screen appears.

```
Login=On
```

4. Press the **ESC** key to return to the **Ethernet** menu.

### Registering Users

5. Press the **▽△** key to select **LoginSet** and then press the **↵** key.

```
Ethernet=LoginSet
```

6. Press the **▽△** key to select **Admin** (administrator) or **User1 to User6**, and then press the **↵** key.

```
Level=Admin
```

7. Press the **▽△** key to select **On** and then press the **↵** key.

```
Register=On
```

\* When the **◀▶** key, **▽△** key, or **CHARACTER** key is pressed while holding down the **SHIFT** key, the operation is reversed as when the respective key is pressed by itself.



8. Set the user name and then press the  $\leftarrow$  key.

Key operations

- Use the  $\triangleleft \triangleright$  key to select the digit for entering a character.
- Use the **CHARACTER** key to select the character type.
- Use the  $\nabla \triangle$  key to select the character you wish to enter.

```
User= █
```

9. Set the password and then press the  $\leftarrow$  key in the same fashion as in step 8. The setting complete screen appears.

```
Password= █
```



```
Ethernet login  
Setting complete
```

To register other users, press the  $\leftarrow$  key to return to step 6 and repeat steps 8, 8, and 9.

### Saving the Settings

1. Press the **ESC** key to return to the **Basic=** screen.
2. Press the  $\nabla \triangle$  key to select **End** and then press the  $\leftarrow$  key.
3. Press the  $\nabla \triangle$  key to select **Store** and then press the  $\leftarrow$  key. The settings are activated, and the Operation mode screen appears.

### Explanation

You can limit the users that can access the Setting/Measurement and Maintenance/Test servers on the recorder via the Ethernet interface.

#### • Enabling/Disabling the Login Function

Set whether to use the login function.

#### • Registering Users

##### • User level

Select either of the user levels, administrator or user.

##### • Administrator

One administrator can be registered. An administrator has the authority to use all Setting/Measurement server and Maintenance/Test server commands.

##### • User

Six users can be registered. A user has limited authority to use the commands. See section 4.2.

##### • Selecting Whether to Register (On/Off) the User

If On is selected, set the user name and password.

##### • Setting the User Name

- Set the user name using up to 16 alphanumeric characters.
- The same user name can not be registered.
- Since the word “quit” is reserved as a command on the recorder, the user name “quit” is not allowed.

##### • Setting the Password

Set the password using up to 4 alphanumeric characters and spaces.

\* When the  $\triangleleft \triangleright$  key,  $\nabla \triangle$  key, or **CHARACTER** key is pressed while holding down the **SHIFT** key, the operation is reversed as when the respective key is pressed by itself.

## 2.5 Registering Users

---

### **Note**

---

- The relationship between the login function and the user name that is used when accessing the recorder is as follows:
    - When the login function is set to "Use"
      - The registered user name and password can be used to login to the recorder.
      - The user level is the level that was specified when the user name was registered.
    - When the login function is set to "Not"
      - The user name "admin" can be used to login to the recorder as an administrator. Password is not necessary.
      - The user name "user" can be used to access the recorder as a user. Password is not necessary.
  - There are limitations on the number of simultaneous connections or simultaneous uses of the recorder from the PC (see section 2.1).
  - For a description of the login process of the Setting/Measurement server and Maintenance/Test server, see appendix 3.
- 

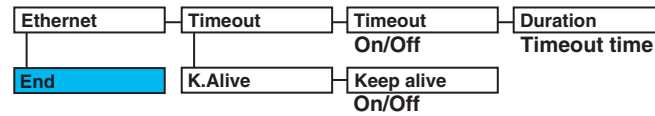
- **Saving the Settings**

To activate the settings made in the Basic Setting mode, the settings must be saved.

## 2.6 Setting the Communication Timeout and Keepalive

The communication timeout function and the keepalive function can be configured.

### Setup Items



### Procedure

For a description of the basic operations, see “Basic Key Operations” on page vi.

### Entering Basic Setting Mode

Hold down the **(MENU)** key for 3 seconds to display the Setting mode screen. Next, hold down both the **▽△ (DISP)** key and the **◀▶ (FUNC)** key for 3 seconds to display the Basic Setting mode screen.

### Note

To cancel an operation, press the **ESC** key.

### Communication Timeout

1. Press the **▽△** key to select **Ethernet** and then press the **↵** key.

```
Basic=Ethernet
```

2. Press the **▽△** key to select **Timeout** and then press the **↵** key.

```
Ethernet=Timeout
```

3. Press the **▽△** key to select **On** and then press the **↵** key.

```
Timeout=On
```

4. Set the timeout time and then press the **↵** key.

The setting complete screen appears.

Key operations

- Use the **◀▶** key to select the digit for entering a value.
- Use the **▽△** key to select the value you wish to enter.

```
Duration=
```



```
Ethernet timeout
Setting complete
```

5. Press the **ESC** key to return to the higher level menu. To save the settings and exit from Basic Setting mode, proceed to “Saving the Settings.”

\* When the **◀▶** key, **▽△** key, or **CHARACTER** key is pressed while holding down the **SHIFT** key, the operation is reversed as when the respective key is pressed by itself.

## 2.6 Setting the Communication Timeout and Keepalive

### Keepalive

1. Press the  $\nabla\Delta$  key to select **Ethernet** and then press the  $\leftarrow$  key.

```
Basic=Ethernet
```

2. Press the  $\nabla\Delta$  key to select **K.Alive** and then press the  $\leftarrow$  key.

```
Ethernet=K. Alive
```

3. Press the  $\nabla\Delta$  key to select **On** and then press the  $\leftarrow$  key.  
The setting complete screen appears.

```
Keep alive=On
```



```
Keep alive  
Setting complete
```

4. Press the **ESC** key to return to the higher level menu. To save the settings and exit from Basic Setting mode, proceed to "Saving the Settings."

### Saving the Settings

1. Press the **ESC** key to return to the **Basic=** screen.
2. Press the  $\nabla\Delta$  key to select **End** and then press the  $\leftarrow$  key.
3. Press the  $\nabla\Delta$  key to select **Store** and then press the  $\leftarrow$  key.  
The settings are activated, and the Operation mode screen appears.

### Explanation

The communication timeout function and the keepalive function can be configured.

- **Communication Timeout**

- **Selecting On or Off**

- If On is selected, set the timeout time.

- **Timeout Time**

- If communication timeout is enabled, the connection is dropped if no data transfer is detected over a time period specified here.

- Selectable range: 1 to 120 minutes

- **Enabling (On)/Disabling (Off) Keepalive**

- Select On to enable the keepalive function.

- **Saving the Settings**

- To activate the settings made in the Basic Setting mode, the settings must be saved.

### <Related Topics>

Keepalive: Section 1.1

\* When the  $\triangleleft$   $\triangleright$  key,  $\nabla\Delta$  key, or **CHARACTER** key is pressed while holding down the **SHIFT** key, the operation is reversed as when the respective key is pressed by itself.

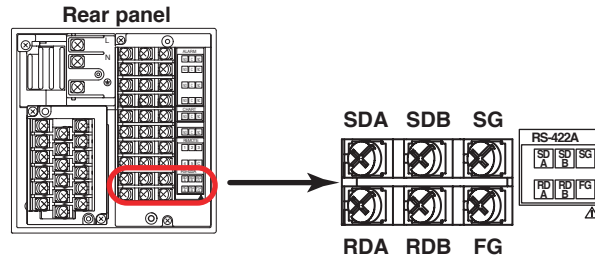
## 3.1 RS-422A/485 Communication Interface Specifications

This section describes the RS-422A/485 communication interface specifications.

Item	Specifications
Terminal block type	Number of terminals: 6, terminal attachment screws: ISO M4/nominal length of 6 mm
Electrical and mechanical specifications	Complies with the EIA-422A(RS-422A) and EIA-485(RS-485) standards
Connection	Multidrop Four-wire system 1:32 Two-wire system 1:31 (Modbus slave protocol)
Transmission mode	Half-duplex
Synchronization	Start-stop synchronization
Baud rate	Select from 1200, 2400, 4800, 9600, 19200, and 38400 [bps].
Start bit	Fixed to 1 bit
Data length	Select 7 or 8 bits
Parity	Select Odd, Even, or None (no parity).
Stop bit	Fixed to 1 bit
Received buffer length	2047 bytes
Escape sequence	Open and close
Electrical characteristics	6 points consisting of FG, SG, SDB, SDA, RDB, and RDA The SG, SDB, SDA, RDB, and RDA terminals and the internal circuitry of the recorder are functionally isolated. The FG terminal is the frame ground.
Communication distance	Up to 1.2 km
Terminal resistance	120 $\Omega$ , 1/2 W

## 3.2 Terminal Arrangement and Signal Names and the Connection Procedure of the RS-422A/485 Communication Interface

### Terminal Arrangement and Signal Names



Terminal Name	Description
FG (Frame Ground)	Case ground of the recorder.
SG (Signal Ground)	Signal ground.
SDB (Send Data B)	Send data B (+).
SDA (Send Data A)	Send data A (-).
RDB (Received Data B)	Receive data B (+).
RDA (Received Data A)	Receive data A (-).

### Connection Procedure

- **Cable**

Use the cable that meets the conditions below.

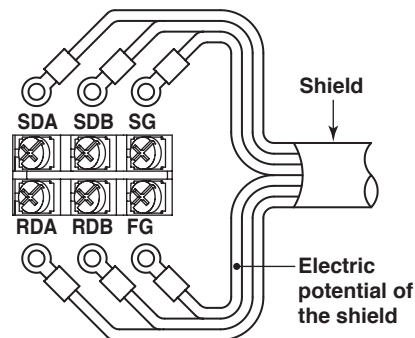
Item	Conditions
Cable	Shielded twisted pair cable 3 pairs AWG24-14 (Four-wire system), 2 pairs 24 AWG or more (Two-wire system)
Characteristic impedance	100 $\Omega$
Capacitance	50 pF/m
Cable length	Up to 1.2 km*

\* The transmission distance of the RS-422A/485 interface is not the straight-line distance, but rather the total length of the (shielded twisted-pair) cable.

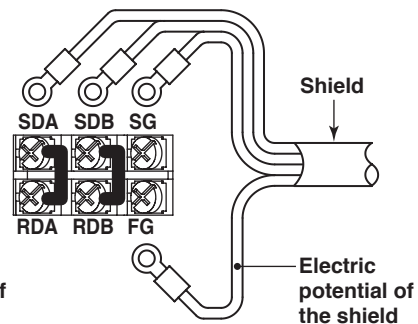
- **Connecting the Cable**

As shown in the following figure, attach a crimp-on lug with isolation sleeves for 4 mm screws to the end of the cable. Keep the exposed section from the end of the shield within 5 cm.

#### Four-wire system



#### Two-wire system





**WARNING**

To prevent the possibility of electric shock, connect the cables with the power turned OFF.

**Note**

- Connect the RD pin to the SD (TD) pin on the PC (converter) end and the SD pin to the RD pin on the PC end.
- The two-wire system can be used only when using the Modbus protocol.

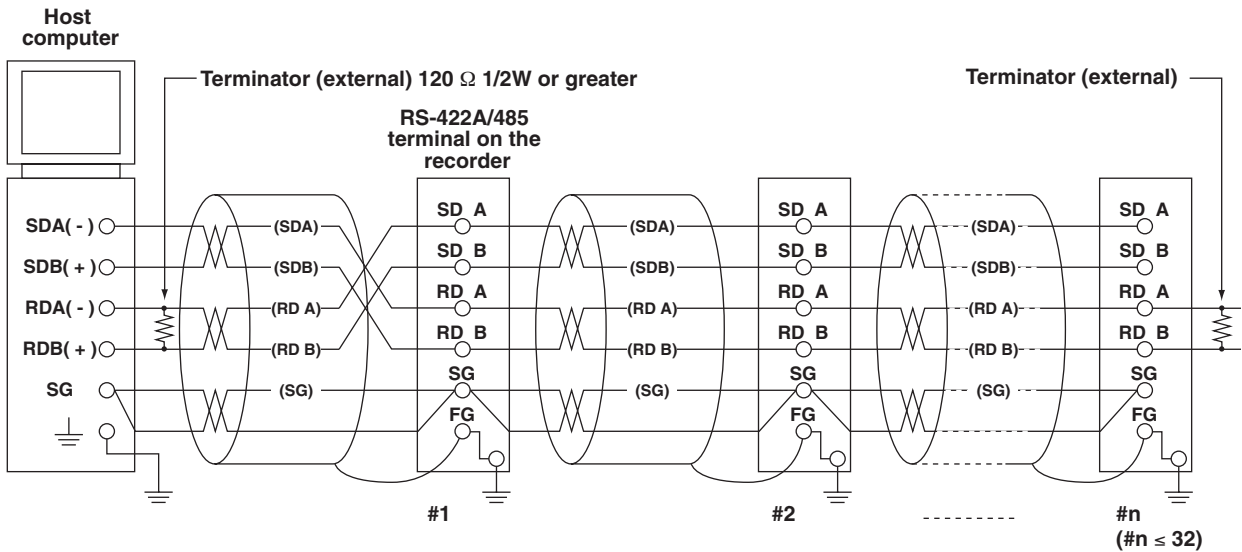
**Connection Example with a Host Computer**

A connection can be made with a host computer having a RS-232, RS-422A, or RS-485 port.

- In the case of RS-232, a converter is used.
- For recommended converters, see “Serial Interface Converter” on the next page.
- The two-wire system can be used only when using the Modbus protocol. For the configuration procedure, see section 3.5

**Four-Wire System**

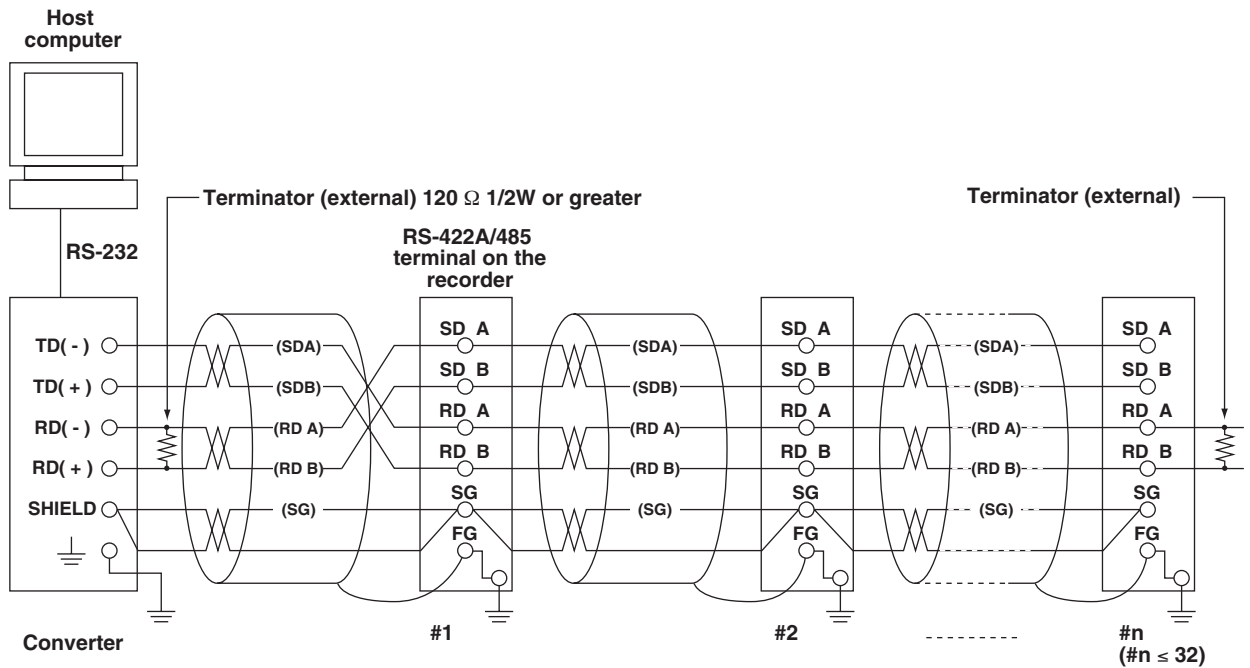
Generally, a four-wire system is used to connect to a host computer. In the case of a four-wire system, the transmission and reception lines need to be crossed over.



Do not connect terminators to #1 through #n-1.

### 3.2 Terminal Arrangement and Signal Names and the Connection Procedure of the RS-422A/485 Communication Interface

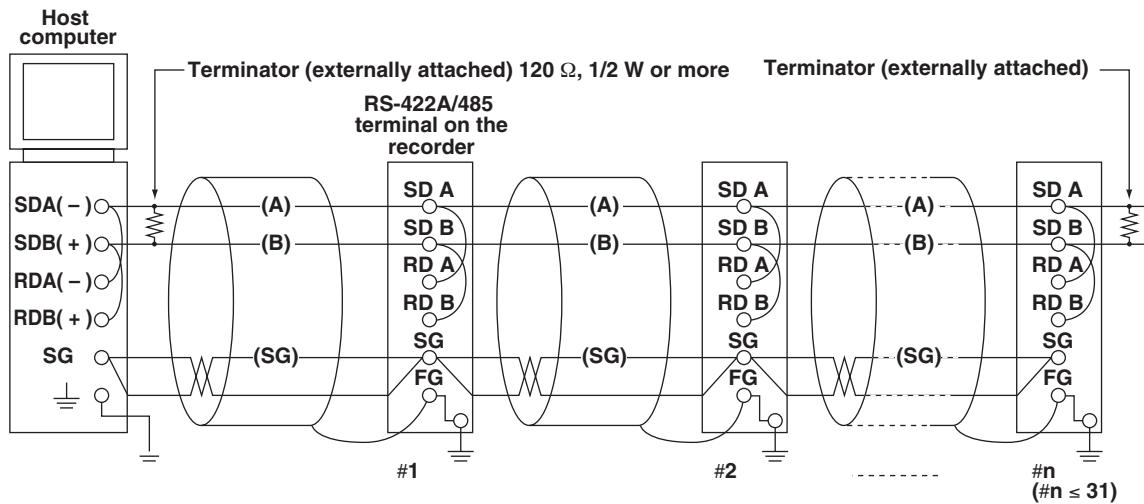
(The following figure illustrates the case when the host computer's interface is RS-232.)



Do not connect terminators to #1 through #n-1.

- **Two-Wire System**

Connect the transmission and reception signals with the same polarity on the RS-422A/485 terminal block. The two-wire system can be used only when using the Modbus protocol.

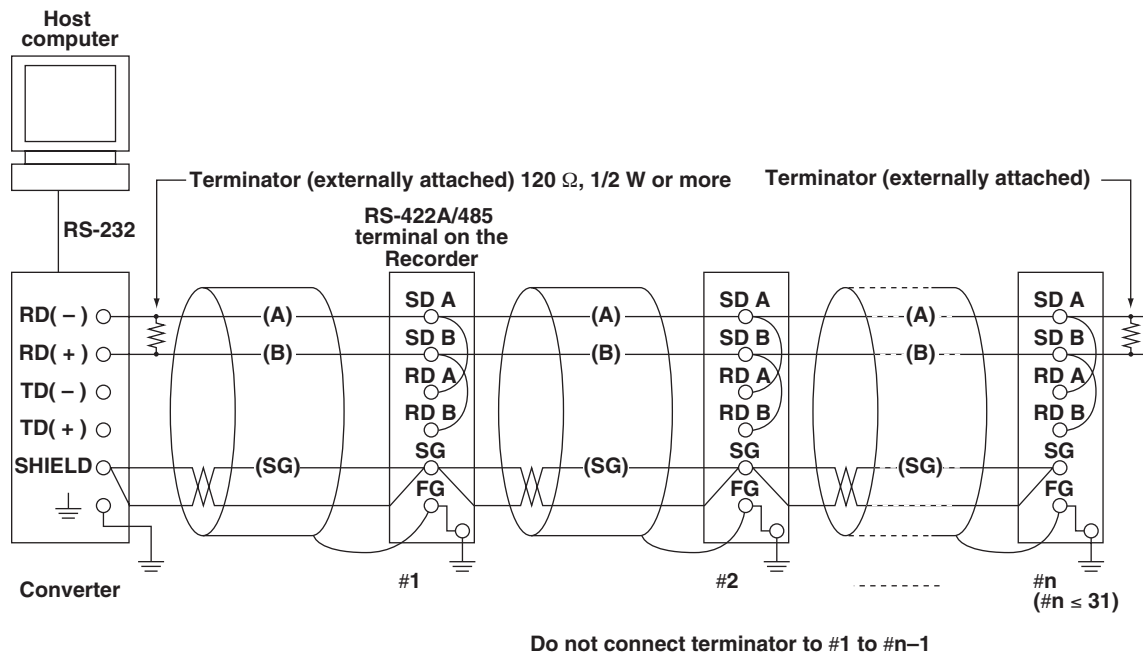


Do not connect terminator to #1 to #n-1



### 3.2 Terminal Arrangement and Signal Names and the Connection Procedure of the RS-422A/485 Communication Interface

(The following figure illustrates the case when the host computer's interface is RS-232.)



#### Note

- The method used to eliminate noise varies depending on the situation. In the connection example, the shield of the cable is connected only to the recorder's ground (one-sided grounding). This is effective when there is a difference in the electric potential between the computer's ground and the recorder's ground. This may be the case for long distance communications. If there is no difference in the electric potential between the computer's ground and the recorder's ground, the method of connecting the shield also to the computer's ground may be effective (two-sided grounding). In addition, in some cases, using two-sided grounding with a capacitor connected in series on one side is effective. Consider these possibilities to eliminate noise.
- When using the two-wire type interface (Modbus protocol), the 485 driver must be set to high impedance within 3.5 characters after the last data byte is sent by the host computer.

#### • Serial Interface Converter

Recommended converter  
MODEL RC-57 by RA SYSTEMS CORP.



#### CAUTION

Some converters not recommended by Yokogawa have FG and SG pins that are not isolated. In this case, do not connect anything to the converter's FG and SG pins (unlike the figure on the previous page). Especially in the case of long distance communications, the potential difference that appears may damage the recorder or cause communication errors. For converters that do not have the SG pin, they can be used without using the signal ground. For details, see the manual that came with the converter.

On some non-recommended converters, the signal polarity may be reversed (A/B or +/- indication). In this case, reverse the connection.

### **3.2 Terminal Arrangement and Signal Names and the Connection Procedure of the RS-422A/485 Communication Interface**

---

For a two-wire system, the host computer must control the transmission driver of the converter in order to prevent collisions of transmit and received data. When using the recommended converter, the driver is controlled using the RS (RTS) signal on the RS-232.

- **When Instruments That Support Only the RS-422A Interface Exist in the System**  
When using the four-wire system, up to 32 recorders can be connected to a single host computer. However, this may not be true if instruments that support only the RS-422A interface exist in the system.

#### **When the instrument that support only the RS-422A interface exist in the system**

The maximum number of connection is 16. Some of YOKOGAWA's conventional recorder only support the RS-422A driver. In this case, only up to 16 units can be connected.

#### **Note**

---

In the RS-422A standard, 10 is the maximum number of connections that are allowed on one port (for a four-wire system).

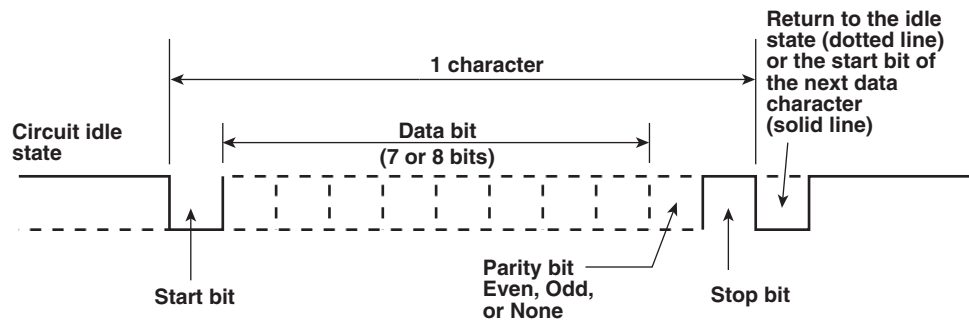
---

- **Terminator**  
When using a multidrop connection (including a point-to-point connection), connect a terminator only to the recorder on the end of the chain. In addition, turn the terminator on the host computer ON (see the computer's manual). If a converter is being used, turn ON its terminator. The terminator must be attached externally to the recommended converters.

### 3.3 The Bit Structure of One Character and the Operation of the Receive Buffer

#### The Bit Structure of One Character

The serial interface on the recorder communicates using start-stop synchronization. In start-stop synchronization, a start bit is added every time a character is transmitted. The start bit is followed by the data bits, parity bit, and stop bit. (See the figure below.)



#### Receive Buffer and Received Data

The data received from the PC is first placed in the receive buffer of the recorder. When the received buffer becomes full, all of the data that overflow are discarded.

## 3.4 Modbus Slave Protocol Specifications

The Modbus slave protocol specifications of the recorder are as follows:

### Serial Interface

Item	Specifications
Transmission medium	RS-422A/485
Flow control	None only
Baud rate	Select from 1200, 2400, 4800, 9600, 19200, or 38400 [bps]
Start bit	Fixed to 1 bit
Stop bit	Fixed to 1 bit
Parity check	Select odd, even, or none (no parity).
Transmission mode	RTU (Remote Terminal Unit) mode only <ul style="list-style-type: none"><li>• Data length: 8 bits</li><li>• Data interval: 24 bits or less*</li><li>• Error detection: Uses CRC-16</li></ul> * Determines message termination with a time interval to 3.5 characters or more.
Maximum number of connected units	Four-wire system: 32 slave devices Two-wire system: 31 slave devices

### Slave Address

Address that can be set 1 to 32

### Supported Functions

The function codes of the Modbus slave protocol that the recorder supports are shown below. The recorder does not support broadcast commands.

Function Code	Specifications	Operation
3	Read the hold register (4xxxx).	The master device reads the communication input data written using function codes 6 and 16.
4	Read the input register (3xxxx).	The master device loads the computed, measured, alarm, and time data of the recorder.
6	Single write to hold register (4xxxx)	The master device writes to the communication input data of the recorder.
8	Loopback test	The master device performs a loopback test of the recorder. The recorder only supports message return (test code 0x00*)
16	Write to the hold register (4xxxx)	The master device writes to the communication input data of the recorder.

\* Hexadecimal "00"

### Communication Input Data

You can use the communication input data by describing it in the computing equations for the computation channels.

## Registers

The registers for using the Modbus slave protocol are listed below. Binary values are stored to the register in order from the highest byte.

Input Register	Data
30001	Measured data of CH01
30002	Measured data of CH02
30003	Measured data of CH03
30004	Measured data of CH04
30005	Measured data of CH05
30006	Measured data of CH06
30007	Measured data of CH07
30008	Measured data of CH08
30009	Measured data of CH09
30010	Measured data of CH10
30011	Measured data of CH11
30012	Measured data of CH12
30013	Measured data of CH13
30014	Measured data of CH14
30015	Measured data of CH15
30016	Measured data of CH16
30017	Measured data of CH17
30018	Measured data of CH18
30019	Measured data of CH19
30020	Measured data of CH20
30021	Measured data of CH21
30022	Measured data of CH22
30023	Measured data of CH23
30024	Measured data of CH24

- The data is a 16-bit signed integer. The value is the same as the measured data in binary output format (see page 5-14).
- The decimal point and unit information are not included. Set them on the Modbus master.
- Valid channels vary depending on the device. An error response (code 2) occurs when an invalid channel is read.

Input Register	Data
31001	Alarm status of the measured data of CH01
31002	Alarm status of the measured data of CH02
31003	Alarm status of the measured data of CH03
31004	Alarm status of the measured data of CH04
31005	Alarm status of the measured data of CH05
31006	Alarm status of the measured data of CH06
31007	Alarm status of the measured data of CH07
31008	Alarm status of the measured data of CH08
31009	Alarm status of the measured data of CH09
31010	Alarm status of the measured data of CH10
31011	Alarm status of the measured data of CH11
31012	Alarm status of the measured data of CH12
31013	Alarm status of the measured data of CH13
31014	Alarm status of the measured data of CH14
31015	Alarm status of the measured data of CH15
31016	Alarm status of the measured data of CH16
31017	Alarm status of the measured data of CH17
31018	Alarm status of the measured data of CH18
31019	Alarm status of the measured data of CH19
31020	Alarm status of the measured data of CH20
31021	Alarm status of the measured data of CH21
31022	Alarm status of the measured data of CH22
31023	Alarm status of the measured data of CH23
31024	Alarm status of the measured data of CH24

- The value is the same as the alarm status in binary output format (see page 5-14). The data is entered in the "A2A1A4A3" order in the register.
- Valid channels vary depending on the device. An error response (code 2) occurs when an invalid channel is read.

### 3.4 Modbus Slave Protocol Specifications

Input Register	Data
32001	Computed data of CH0A (lower word)
32002	Computed data of CH0A (upper word)
32003	Computed data of CH0B (lower word)
32004	Computed data of CH0B (upper word)
32005	Computed data of CH0C (lower word)
32006	Computed data of CH0C (upper word)
32007	Computed data of CH0D (lower word)
32008	Computed data of CH0D (upper word)
32009	Computed data of CH0E (lower word)
32010	Computed data of CH0E (upper word)
32011	Computed data of CH0F (lower word)
32012	Computed data of CH0F (upper word)
32013	Computed data of CH0G (lower word)
32014	Computed data of CH0G (upper word)
32015	Computed data of CH0J (lower word)
32016	Computed data of CH0J (upper word)
32017	Computed data of CH0K (lower word)
32018	Computed data of CH0K (upper word)
32019	Computed data of CH0M (lower word)
32020	Computed data of CH0M (upper word)
32021	Computed data of CH0N (lower word)
32022	Computed data of CH0N (upper word)
32023	Computed data of CH0P (lower word)
32024	Computed data of CH0P (upper word)
32025	Computed data of CH1A (lower word)
32026	Computed data of CH1A (upper word)
32027	Computed data of CH1B (lower word)
32028	Computed data of CH1B (upper word)
32029	Computed data of CH1C (lower word)
32030	Computed data of CH1C (upper word)
32031	Computed data of CH1D (lower word)
32032	Computed data of CH1D (upper word)
32033	Computed data of CH1E (lower word)
32034	Computed data of CH1E (upper word)
32035	Computed data of CH1F (lower word)
32036	Computed data of CH1F (upper word)
32037	Computed data of CH1G (lower word)
32038	Computed data of CH1G (upper word)
32039	Computed data of CH1J (lower word)
32040	Computed data of CH1J (upper word)
32041	Computed data of CH1K (lower word)
32042	Computed data of CH1K (upper word)
32043	Computed data of CH1M (lower word)
32044	Computed data of CH1M (upper word)
32045	Computed data of CH1N (lower word)
32046	Computed data of CH1N (upper word)
32047	Computed data of CH1P (lower word)
32048	Computed data of CH1P (upper word)

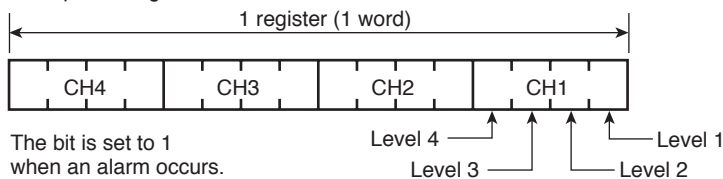
- Registers corresponding to models with the /M1 computation function option.
- The data is a 32-bit signed integer. Two registers are assigned for each data point.
- The value is the same as the computed data in binary output format (see page 5-14).
- The decimal point and unit information are not included. Set them on the Modbus master.
- Valid channels vary depending on the device. An error response (code 2) occurs when an invalid channel is read.

Input Register	Data
33001	Alarm status of the computed data of CH0A
33002	Alarm status of the computed data of CH0B
33003	Alarm status of the computed data of CH0C
33004	Alarm status of the computed data of CH0D
33005	Alarm status of the computed data of CH0E
33006	Alarm status of the computed data of CH0F
33007	Alarm status of the computed data of CH0G
33008	Alarm status of the computed data of CH0J
33009	Alarm status of the computed data of CH0K
33010	Alarm status of the computed data of CH0M
33011	Alarm status of the computed data of CH0N
33012	Alarm status of the computed data of CH0P
33013	Alarm status of the computed data of CH1A
33014	Alarm status of the computed data of CH1B
33015	Alarm status of the computed data of CH1C
33016	Alarm status of the computed data of CH1D
33017	Alarm status of the computed data of CH1E
33018	Alarm status of the computed data of CH1F
33019	Alarm status of the computed data of CH1G
33020	Alarm status of the computed data of CH1J
33021	Alarm status of the computed data of CH1K
33022	Alarm status of the computed data of CH1M
33023	Alarm status of the computed data of CH1N
33024	Alarm status of the computed data of CH1P

- Registers corresponding to models with the /M1 computation function option.
- The values are the same as those of the alarm status of the measured data.
- Valid channels vary depending on the device. An error response (code 2) occurs when an invalid channel is read.

Input Register	Data
36001	List of alarms of the measured data of CH01 to CH04
36002	List of alarms of the measured data of CH05 to CH08
36003	List of alarms of the measured data of CH09 to CH12
36004	List of alarms of the measured data of CH13 to CH16
36005	List of alarms of the measured data of CH17 to CH20
36006	List of alarms of the measured data of CH21 to CH24
36007 to 36020	Always 0
36021	List of alarms of the computed data of CH0A to CH0D
36022	List of alarms of the computed data of CH0E to CH0J
36023	List of alarms of the computed data of CH0K to CH0P
36024	List of alarms of the computed data of CH1A to CH1D
36025	List of alarms of the computed data of CH1E to CH1J
36026	List of alarms of the computed data of CH1K to CH1P

Example of Register 36001



- Registers 36001 to 36026 can be read with a single command.
- Bits corresponding to invalid channels are fixed to "0."

Input Register	Data
39001	Year (4 digits)
39002	Month
39003	Day
39004	Hour
39005	Minute
39006	Second
39007	Millisecond
39008	Summer/Winter time

- The data is a 16-bit signed integer.

### 3.4 Modbus Slave Protocol Specifications

Hold register	Data
40001	Communication input data of C01
40002	Communication input data of C02
40003	Communication input data of C03
40004	Communication input data of C04
40005	Communication input data of C05
40006	Communication input data of C06
40007	Communication input data of C07
40008	Communication input data of C08
40009	Communication input data of C09
40010	Communication input data of C10
40011	Communication input data of C11
40012	Communication input data of C12
40013	Communication input data of C13
40014	Communication input data of C14
40015	Communication input data of C15
40016	Communication input data of C16
40017	Communication input data of C17
40018	Communication input data of C18
40019	Communication input data of C19
40020	Communication input data of C20
40021	Communication input data of C21
40022	Communication input data of C22
40023	Communication input data of C23
40024	Communication input data of C24

- Registers corresponding to models with the /M1 computation function option.
- Pen model: C01 to C08, dot model: C01 to C12 ( $\mu$ R10000), C01 to C24 ( $\mu$ R20000)
- The data is a 16-bit signed integer.
- When writing to the register: A 16-bit signed integer only can be input.
- When reading from the register: The communication input data, a floating point, is converted to a 16-bit signed integer and output.

Hold register	Data
40301	Communication input data of C01 (lower word)
40302	Communication input data of C01 (upper word)
40303	Communication input data of C02 (lower word)
40304	Communication input data of C02 (upper word)
40305	Communication input data of C03 (lower word)
40306	Communication input data of C03 (upper word)
40307	Communication input data of C04 (lower word)
40308	Communication input data of C04 (upper word)
40309	Communication input data of C05 (lower word)
40310	Communication input data of C05 (upper word)
40311	Communication input data of C06 (lower word)
40312	Communication input data of C06 (upper word)
40313	Communication input data of C07 (lower word)
40314	Communication input data of C07 (upper word)
40315	Communication input data of C08 (lower word)
40316	Communication input data of C08 (upper word)
40317	Communication input data of C09 (lower word)
40318	Communication input data of C09 (upper word)
40319	Communication input data of C10 (lower word)
40320	Communication input data of C10 (upper word)
40321	Communication input data of C11 (lower word)
40322	Communication input data of C11 (upper word)
40323	Communication input data of C12 (lower word)
40324	Communication input data of C12 (upper word)

(To next page)



(From previous page)

Hold register	Data
40325	Communication input data of C13 (lower word)
40326	Communication input data of C13 (upper word)
40327	Communication input data of C14 (lower word)
40328	Communication input data of C14 (upper word)
40329	Communication input data of C15 (lower word)
40330	Communication input data of C15 (upper word)
40331	Communication input data of C16 (lower word)
40332	Communication input data of C16 (upper word)
40333	Communication input data of C17 (lower word)
40334	Communication input data of C17 (upper word)
40335	Communication input data of C18 (lower word)
40336	Communication input data of C18 (upper word)
40337	Communication input data of C19 (lower word)
40338	Communication input data of C19 (upper word)
40339	Communication input data of C20 (lower word)
40340	Communication input data of C20 (upper word)
40341	Communication input data of C21 (lower word)
40342	Communication input data of C21 (upper word)
40343	Communication input data of C22 (lower word)
40344	Communication input data of C22 (upper word)
40345	Communication input data of C23 (lower word)
40346	Communication input data of C23 (upper word)
40347	Communication input data of C24 (lower word)
40348	Communication input data of C24 (upper word)

- Registers corresponding to models with the /M1 computation function option.
- Pen model: C01 to C08; Dot model: C01 to C12 ( $\mu$ R10000), C01 to C24 ( $\mu$ R20000)
- The data is a floating point.
- When writing to the register: The values that can be input are  $-9.9999E29$  to  $-1E-30$ , 0, and  $1E-30$  to  $9.9999E29$ .  
If a value exceeding this range is input, a computation error will occur when using the value on computation channels.

### Modbus Error Response

The recorder returns the following error codes to the master device. For the error messages related to communications that the recorder displays, see appendix 4.

Code	Meaning	Cause
1	Bad function code	Unsupported function request.
2	Bad register number	Attempted to read/write to a register that has no corresponding channel.
3	Bad number of registers	The specified number of registers is less than or equal to 0 or greater than or equal to 126 (when reading)/124 (when writing).

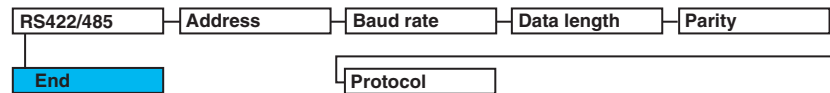
However, no response is returned for the following cases.

- CRC error
- Errors other than those in the table above.

## 3.5 Setting the Serial Interface

The serial interface must be configured.

### Setup Items



### Procedure

For a description of the basic operations, see “Basic Key Operations” on page vi.

#### Entering Basic Setting Mode

Hold down the **(MENU)** key for 3 seconds to display the Setting mode screen.

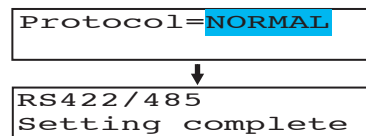
Next, hold down both the **▽△ (DISP)** key and the **◀▶ (FUNCTION)** key for 3 seconds to display the Basic Setting mode screen.

#### Note

To cancel an operation, press the **ESC** key.

1. Press the **▽△** key to select **RS422/485** and then press the **↵** key.  
`Basic=RS422/485`
2. Press the **▽△** key to select the recorder's address and then press the **↵** key.  
`Address=1`
3. Press the **▽△** key to select the **Baud rate** value and then press the **↵** key.  
`Baud rate=38400`
4. Press the **▽△** key to select the **Data length** value and then press the **↵** key.  
`Data length=8`
5. Press the **▽△** key to select the **Parity** value and then press the **↵** key.  
`Parity=Even`
6. Press the **▽△** key to select the **NORMAL** or **MODBUS** value and then press the **↵** key.

The setting complete screen appears.



#### Saving the Settings

1. Press the **ESC** key to return to the **Basic=** screen.
2. Press the **▽△** key to select **End** and then press the **↵** key.
3. Press the **▽△** key to select **Store** and then press the **↵** key.  
The settings are activated, and the Operation mode screen appears.

\* When the **◀▶** key or **▽△** key is pressed while holding down the **SHIFT** key, the operation is reversed as when the respective key is pressed by itself.

**Explanation**

- **Address**  
Select the address from the following range.  
01 to 32
- **Baud rate**  
Select the baud rate from the following:  
1200, 2400, 4800, 9600, 19200, or 38400
- **Data length**  
Select the data length from below. To output data in BINARY format, be sure to set the data length to 8 bits.  
7 or 8
- **Parity (Parity check method)**  
Select the parity check from the following:  
Odd, Even, or None
- **Protocol**  
Select the protocol when using the Modbus slave protocol.  
NORMAL: Standard protocol  
MODBUS: Modbus slave protocol
- **Saving the Settings**  
To activate the settings made in the Basic Setting mode, the settings must be saved.



## 4.1 Command Syntax

---

- **Query**

- A question mark is used to specify a query.
- By placing a query after a command or parameter, the setting information of the corresponding command can be queried. Some commands cannot execute queries. For the query syntax of each command, see sections 4.4 to 4.7.

**Example 1** SR[ p1 ]? SR? or SR p1? can be executed.

**Example 2** SA[ p1[ ,p2 ] ]? SA?, SA p1?, or SA p1,p2? can be executed.

- **Delimiter**

- A comma is used as a delimiter.
- Parameters are separated by delimiters.

- **Sub Delimiter**

- A semicolon is used as a sub delimiter.
- By separating each command with a sub delimiter, up to 10 commands can be specified one after another. However, the following commands and queries cannot be specified one after another. Use them independently.
  - Output commands other than BO, CS, and IF commands.
  - YE command
  - Queries

\* If there are consecutive sub delimiters, they are considered to be single. In addition, sub delimiters at the front and at the end are ignored.

**Example** ;SR01,VOLT;;SR02,VOLT;<terminator> is taken to be  
SR01,VOLT;SR02,VOLT<terminator>.

- **Terminator (Terminating Character)**

Use either of the following two characters for the terminator.

- CR + LF (0DH 0AH in ASCII code.)
- LF (0AH in ASCII code.)

**Note**

---

- The total data length from the first character to the terminator must be less than 2047 bytes. In addition, the character string length of 1 command must be less than 512 bytes.
  - Commands are not case sensitive (with the exception of user-specified character strings).
  - All the commands that are listed using sub delimiters are executed even if one of the commands is erroneous.
  - Spaces that are inserted before and after a parameter are ignored. However, if spaces are inserted before a command, after a sub delimiter, or after a query, an error occurs.
- 

## Response

The recorder returns a response (affirmative/negative response) to a command that is separated by a single terminator.\* The controller should follow the one command to one response format. When the command-response rule is not followed, the operation is not guaranteed.

For the response syntax, see section 5.1.

\* The exceptions are the RS-422A/485 dedicated commands (see section 4.8).

**Note**

---

When using the RS-422A/485 interface, allow at least 1 ms before sending the next command after receiving a response. Otherwise, the command may not be processed correctly.

---

## 4.2 A List of Commands

### Execution Modes and User Levels

#### Execution Modes

The recorder has two execution modes. Each command is specified to be used in a particular execution mode. If you attempt to execute a command in a mode that is different from the specification, a syntax error occurs. Use the DS command to switch to the appropriate mode, and then execute the command. Query commands can be executed in either mode.

- Basic Setting mode  
Measurement/computation is stopped and settings are changed in this mode.

- Run mode  
*Run mode* collectively refers to Operation mode and Setting mode of the recorder.

#### User Levels

The administrator and user specifications in the table indicate the user level that is specified using the login function for Ethernet communications. For details, see section 1.1.

### Setting Commands

Command Name	Function	Execution Mode	Administrator	User	Page
SR	Sets the input range.	Run mode	Yes	No	4-10
VB	Sets the bias.	Run mode	Yes	No	4-11
VL	Sets the calibration correction (/CC1 option).	Run mode	Yes	No	4-11
SA	Sets the alarm.	Run mode	Yes	No	4-11
SN	Sets the unit.	Run mode	Yes	No	4-12
SC	Sets the chart speed.	Run mode	Yes	No	4-13
SD	Sets the date and time.	Run mode	Yes	No	4-13
VT	Sets the dot printing interval (dot model).	Run mode	Yes	No	4-13
SZ	Sets zone recording.	Run mode	Yes	No	4-13
SP	Sets the partial expanded recording.	Run mode	Yes	No	4-13
VR	Turns ON/OFF the recording on each channel.	Run mode	Yes	No	4-14
ST	Sets the tag.	Run mode	Yes	No	4-14
SG	Sets the message.	Run mode	Yes	No	4-14
SE	Sets the secondary chart speed (used by the remote control function (/R1 option)).	Run mode	Yes	No	4-14
SV	Sets the moving average (dot model).	Run mode	Yes	No	4-14
SF	Sets the input filter (pen model).	Run mode	Yes	No	4-14
BD	Sets the alarm delay time.	Run mode	Yes	No	4-14
VF	Sets the brightness of the display (VFD) and internal illumination.	Run mode	Yes	No	4-14
TD	Sets the DST.	Run mode	Yes	No	4-15
SS	Sets the DST. (Can be used on the $\mu$ R10000 with system version 1.02 or earlier)	Run mode	Yes	No	4-15
SO	Sets the computing equation (/M1 option).	Run mode	Yes	No	4-15
SK	Sets the computation constant (/M1 option).	Run mode	Yes	No	4-15
SJ	Sets the timer used in TLOG computation (/M1 option).	Run mode	Yes	No	4-15
VD	Sets the data display screen.	Run mode	Yes	No	4-16
CM	Sets the communication input data (/M1 option).	Run mode	Yes	No	4-18
FR	Sets the acquiring interval to the FIFO buffer.	Run mode	Yes	No	4-18
VH	Sets the batch number and lot number (/BT1 option).	Run mode	Yes	No	4-18
VC	Sets the batch comment (/BT1 option).	Run mode	Yes	No	4-18
VP	Turns Start printout/End printout ON/OFF (/BT1 option).	Run mode	Yes	No	4-19
VA	Sets the Start printout/End printout action (/BT1 option).	Run mode	Yes	No	4-19
VM	Sets the message format (/BT1 option).	Run mode	Yes	No	4-19

Yes: Command usable

No: Command not usable

## 4.2 A List of Commands

### Basic Setting Commands

#### Note

- The settings that are returned in response to a query in the basic setting mode will contain the new settings even if they are not saved.
- In order to activate the settings that are changed using the basic setting commands, the settings must be saved using the YE or XE command.
- If the settings are saved with the XE command, communication is not dropped. If saved with the YE command, the settings that are changed using the YS/YB/YA/YN/YD/YQ/YK command are activated after power-cycling the recorder.
- When the YE command is executed, communication is dropped. The response to the YE command is not returned.
- The following settings cannot be changed.  
Key lock, enabling/disabling of the customized menu function, user registration for Ethernet communication.

Command Name	Function	Execution Mode	Administrator	User	Page
XA	Sets alarm related settings.	Basic Setting mode	Yes	No	4-20
XI	Sets the A/D integral time.	Basic Setting mode	Yes	No	4-21
XB	Sets the burnout detection.	Basic Setting mode	Yes	No	4-21
XJ	Sets the RJC.	Basic Setting mode	Yes	No	4-21
UC	Changes the dot color (dot model).	Basic Setting mode	Yes	No	4-21
UO	Sets the pen offset compensation (pen model).	Basic Setting mode	Yes	No	4-22
UP	Sets the items to be printed.	Basic Setting mode	Yes	No	4-22
UR	Sets the periodic printout interval.	Basic Setting mode	Yes	No	4-22
UM	Sets the types of report data that are output to the periodic printout.	Basic Setting mode	Yes	No	4-22
UB	Sets the display mode of the bar graph.	Basic Setting mode	Yes	No	4-23
UI	Sets whether to use moving average (dot model).	Basic Setting mode	Yes	No	4-23
UJ	Sets whether to use the input filter (pen model).	Basic Setting mode	Yes	No	4-23
UK	Sets whether to use of partial expanded recording.	Basic Setting mode	Yes	No	4-23
UL	Selects the display/printout language.	Basic Setting mode	Yes	No	4-23
XN	Selects the date format.	Basic Setting mode	Yes	No	4-23
XT	Selects the temperature unit.	Basic Setting mode	Yes	No	4-23
UF	Sets whether to use the extended functions.	Basic Setting mode	Yes	No	4-23
UT	Selects the time printout format.	Basic Setting mode	Yes	No	4-24
XR	Sets the remote control input (/R1 option).	Basic Setting mode	Yes	No	4-24
YS	Sets the RS-422A/485 interface (/C3 option).	Basic Setting mode	Yes	No	4-24
XQ	Sets the TLOG timer (/M1 option).	Basic Setting mode	Yes	No	4-24
UN	Changes the assignment of channels to the recording pen (pen model, /M1 option).	Basic Setting mode	Yes	No	4-25
US	Sets the computation error procedure (/M1 option).	Basic Setting mode	Yes	No	4-25
YB	Sets the host name and domain name (/C7 option).	Basic Setting mode	Yes	No	4-25
YA	Sets the IP address (/C7 option).	Basic Setting mode	Yes	No	4-25
YN	Sets the DNS (/C7 option).	Basic Setting mode	Yes	No	4-25
YD	Sets whether to use the login function via communication (/C7 option).	Basic Setting mode	Yes	No	4-26
YQ	Sets the communication timeout (/C7 option)	Basic Setting mode	Yes	No	4-26
YK	Sets keepalive (/C7 option).	Basic Setting mode	Yes	No	4-26
UQ	Sets the calibration correction mode and the number of set points (/CC1 option).	Basic Setting mode	Yes	No	4-26
UA	Sets the record position.	Basic Setting mode	Yes	No	4-26
UG	Sets the Setting mode menu selection.	Basic Setting mode	Yes	No	4-27
UH	Sets the FUNC key menu selection.	Basic Setting mode	Yes	No	4-27
UE	Selects enable/disable for Start printout/End printout and message format (/BT1 option).	Basic Setting mode	Yes	No	4-27
YE	Exits from Basic Setting mode.	Basic Setting mode	Yes	No	4-27
XE	Exits from Basic Setting mode.	Basic Setting mode	Yes	No	4-27

Yes: Command usable

No: Command not usable

### Control Commands

Key	Command Name	Function	Execution Mode	Administrator	User	Page
-	DS	Switches the execution mode.	All modes	Yes	No	4-28
RCD	PS	Starts/Stops recording.	Run mode	Yes	No	4-28
DISP	UD	Switches the screen/switches the channel.	Run mode	Yes	No	4-28
FUNC	AK	Executes alarm acknowledge (AlarmACK)	Run mode	Yes	No	4-28
FUNC	TL	Starts/stops/resets computation (/M1 option).	Run mode	Yes	No	4-28
FUNC	MP	Starts/Stops manual print.	Run mode	Yes	No	4-28
FUNC	LS	Starts/Stops the list (setting information) printout.	Run mode	Yes	No	4-28
FUNC	SU	Starts/Stops the setup list (basic setting information) printout.	Run mode	Yes	No	4-28
FUNC	MS	Executes the message printout.	Run mode	Yes	No	4-28
FUNC	AC	Clears the alarm printout buffer.	Run mode	Yes	No	4-28
FUNC	MC	Clears the message printout buffer.	Run mode	Yes	No	4-29
FUNC	VG	Resets the report data of the periodic printout.	Run mode	Yes	No	4-29
-	YC	Initializes the settings.	Basic Setting mode	Yes	No	4-29
-	UY	Stops the record position adjustment.	Basic Setting mode	Yes	No	4-29

Yes: Command usable

No: Command not usable

### Output Commands

Command Type	Command Name	Function	Execution Mode	Administrator	User	Page
Control						
	BO	Sets the byte output order.	All modes	Yes	Yes	4-29
	CS	Sets the check sum (usable only during serial communications).	All modes	Yes	Yes	4-29
	IF	Sets the status filter	All modes	Yes	Yes	4-29
	CC	Disconnects an Ethernet connection (usable only during Ethernet communications)	All modes	Yes	Yes	4-30
Setup, measurement, and computation data output						
	FE	Outputs decimal point position, unit information, and setup data.	All modes	Yes	Yes	4-30
	FD	Outputs the most recent measured/computed data.	Run mode	Yes	Yes	4-30
	FY	Outputs the statistical computation results.	Run mode	Yes	Yes	4-30
	FF	Outputs FIFO data.	Run mode	Yes	Yes	4-30
	IS	Outputs status information.	All modes	Yes	Yes	4-31
	FU	Outputs user information.	All modes	Yes	Yes	4-31

Yes: Command usable

No: Command not usable

### RS-422A/485 Dedicated Commands

Command Name	Function	Execution Mode	Administrator	User	Page
Esc O	Opens the instrument.	All modes	Yes	Yes	4-31
Esc C	Closes the instrument.	All modes	Yes	Yes	4-31

Yes: Command usable

No: Command not usable



## 4.2 A List of Commands

---

### Maintenance/Test Commands

These commands can be used only when using Ethernet communications.

Command Name	Function	Execution Mode	Administrator	User	Page
close	Disconnects the connection between other instruments.	All modes	Yes	No	4-32
con	Outputs connection information.	All modes	Yes	Yes	4-32
eth	Output Ethernets statistical information.	All modes	Yes	Yes	4-32
help	Outputs help.	All modes	Yes	Yes	4-32
net	Outputs network statistical information.	All modes	Yes	Yes	4-32
quit	Disconnects the connection of the instrument being operated.	All modes	Yes	Yes	4-33

Yes: Command usable

No: Command not usable

### Instrument Information Output Commands

These commands can be used only when using Ethernet communications.

Parameter	Function	Page
serial	Outputs the serial number.	4-33
host	Outputs the host name.	4-33
ip	Outputs the IP address.	4-33

## 4.3 Parameter Values

This section explains frequently used parameters.

### Input Range

The following tables show the input types (VOLT, TC, RTD, DI, and 1-5V), range types, and the ranges for the leftmost and rightmost values of the span.

- **DC Voltage (VOLT), Square Root (SQRT), Difference between Channels (DELTA)**

Range Type	Parameter for the SR Command	Range of Leftmost and Rightmost Values of Span	Range of Leftmost and Rightmost Values of Span of the SR Command
20 mV	20 mV	-20.00 to 20.00 mV	-2000 to 2000
60 mV	60 mV	-60.00 to 60.00 mV	-6000 to 6000
200 mV	200 mV	-200.0 to 200.0 mV	-2000 to 2000
2 V	2 V	-2.000 to 2.000 V	-2000 to 2000
6 V	6 V	-6.000 to 6.000 V	-6000 to 6000
20 V	20 V	-20.00 to 20.00 V	-2000 to 2000
50 V	50 V	-50.00 to 50.00 V	-5000 to 5000

- **1-5V**

Range Type	Parameter for the SR Command	Range of Leftmost and Rightmost Values of Span	Range of Leftmost and Rightmost Values of Span of the SR Command
1-5V	1-5V	Leftmost value: 0.8000 to 1.200 V Rightmost value: 4.8000 to 5.200 V	800 to 1200  4800 to 5200

- **Thermocouple (TC)**

Range Type	Parameter for the SR Command	Range of Leftmost and Rightmost Values of Span			
		°C	SR Command	°F	SR Command
R	R	0.0 to 1760.0°C	0 to 17600	32 to 3200°F	32 to 3200
S	S	0.0 to 1760.0°C	0 to 17600	32 to 3200°F	32 to 3200
B	B	0.0 to 1820.0°C	0 to 18200	32 to 3308°F	32 to 3308
K	K	-200.0 to 1370.0°C	-2000 to 13700	-328 to 2498°F	-328 to 2498
E	E	-200.0 to 800.0°C	-2000 to 8000	-328.0 to 1472.0°F	-3280 to 14720
J	J	-200.0 to 1100.0°C	-2000 to 11000	-328.0 to 2012.0°F	-3280 to 20120
T	T	-200.0 to 400.0°C	-2000 to 4000	-328.0 to 752.0°F	-3280 to 7520
N	N	0.0 to 1300.0°C	0 to 13000	32 to 2372°F	32 to 2372
W	W	0.0 to 2315.0°C	0 to 23150	32 to 4199°F	32 to 4199
L	L	-200.0 to 900.0°C	-2000 to 9000	-328.0 to 1652.0°F	-3280 to 16520
U	U	-200.0 to 400.0°C	-2000 to 4000	-328.0 to 752.0°F	-3280 to 7520
WRe	WRe	0.0 to 2400.0°C	0 to 24000	32 to 4352°F	32 to 4352
<b>Difference between channels (DELTA)</b>					
R	-	-1760.0 to 1760.0°C	-17600 to 17600	-3168 to 3168°F	-3168 to 3168
S	-	-1760.0 to 1760.0°C	-17600 to 17600	-3168 to 3168°F	-3168 to 3168
B	-	-1820.0 to 1820.0°C	-18200 to 18200	-3276 to 3276°F	-3276 to 3276
K	-	-1570.0 to 1570.0°C	-15700 to 15700	-2826 to 2826°F	-2826 to 2826
E	-	-1000.0 to 1000.0°C	-10000 to 10000	-1800.0 to 1800.0°F	-18000 to 18000
J	-	-1300.0 to 1300.0°C	-13000 to 13000	-1999.9 to 2340.0°F	-19999 to 23400
T	-	-600.0 to 600.0°C	-6000 to 6000	-1080.0 to 1080.0°F	-10800 to 10800
N	-	-1300.0 to 1300.0°C	-13000 to 13000	-2340 to 2340°F	-2340 to 2340
W	-	-1999.9 to 2315.0°C	-19999 to 23150	-4167 to 4167°F	-4167 to 4167
L	-	-1100.0 to 1100.0°C	-11000 to 11000	-1980.0 to 1980.0°F	-19800 to 19800
U	-	-600.0 to 600.0°C	-6000 to 6000	-1080.0 to 1080.0°F	-10800 to 10800
WRe	-	-1999.9 to 2400.0°C	-19999 to 24000	-4320 to 4320°F	-4320 to 4320

### 4.3 Parameter Values

- **Resistance Temperature Detector (RTD)**

Range Type	Parameter for the SR Command	Range of Leftmost and Rightmost Values of Span		
		°C	SR Command	°F
Pt100	PT	-200.0 to 600.0°C	-2000 to 6000	-328.0 to 1112.0°F
JPt100	JPT	-200.0 to 550.0°C	-2000 to 5500	-328.0 to 1022.0°F
<b>Difference between channels (DELTA)</b>				
Pt100	-	-800.0 to 800.0°C	-8000 to 8000	-1440.0 to 1440.0°F
JPt100	-	-750.0 to 750.0°C	-7500 to 7500	fu-1350.0 to 1350.0°F

- **ON/OFF input (DI)**

Range Type	Parameter for the SR Command	Range of Leftmost and Rightmost Values of Span	Range of Leftmost and Rightmost Values of Span of the SR Command
Level	LEVEL	0 to 1 <sup>†</sup>	0 to 1
Contact	CONT	0 to 1 <sup>††</sup>	0 to 1

<sup>†</sup> "0" when less than 2.4 V, "1" when greater than or equal to 2.4 V.

<sup>††</sup> "0" when contact is OFF, "1" when contact is ON.

- **Cu10, Cu25 RTD input (/N1 Option)**

Range Type	Parameter for the SR Command
Cu10(GE)	CU1
Cu10(L&N)	CU2
Cu10(WEED)	CU3
Cu10(BAILEY)	CU4
Cu10: $\alpha=0.00392$ at 20°C	CU5
Cu10: $\alpha=0.00393$ at 20°C	CU6
Cu25: $\alpha=0.00425$ at 0°C	CU25

- **Expansion inputs (/N3 Option)**

Range Type	Parameter for the SR Command
Kp vs Au7Fe	Kp
PLATINEL	PLATI
PR40 - 20	PR
NiNiMo	NiMo
W/WRe26	W/WRe
Type N(AWG14)	N2
Pt50	PT3
Ni100(SAMA)	Ni1
Ni100(DIN)	Ni2
Ni120	Ni3
J263*B	J263
Cu53	CU8
Cu100	CU9
Pt25	PT4

## Miscellaneous

**Channel Number**• **Pen model**

Measurement channel: 01 to 04

Computation channel: 0A, 0B, 0C, 0D, 0E, 0F, 0G, 0J

• **Dot model**

Measurement channel:

μR10000: 01 to 06

μR20000: 01 to 24

Computation channel:

μR10000: 0A, 0B, 0C, 0D, 0E, 0F, 0G, 0J, 0K, 0M, 0N, 0P

μR20000: 0A, 0B, 0C, 0D, 0E, 0F, 0G, 0J, 0K, 0M, 0N, 0P,  
1A, 1B, 1C, 1D, 1E, 1F, 1G, 1J, 1K, 1M, 1N, 1P**Relay Number (/A1, /A2, /A3, /A4, and /A5 Options)**

- Models with the /A1 option: I01, I02
- Models with the /A2 option: I01 to I04
- Models with the /A3 option: I01 to I06
- Models with the /A4 option: I01 to I06, I11 to I16 (μR20000)
- Models with the /A5 option: I01 to I06, I11 to I16, I21 to I26, I31 to I36 (μR20000)

**Communication Input Data**

μR10000 Pen model: C01 to C08, dot model: C01 to C12

μR20000 Pen model: C01 to C08, dot model: C01 to C24

**Computation Constant (/M1 option).**

K01 to K30

**Remote Control Input Terminal (/R1 Option)**

D01 to D05

**Chart Speed on the Pen Model**

									mm/h
5	6	8	9	10	12	15	16	18	20
24	25	30	32	36	40	45	48	50	54
60	64	72	75	80	90	96	100	120	125
135	150	160	180	200	225	240	250	270	300
320	360	375	400	450	480	500	540	600	675
720	750	800	900	960	1000	1080	1200	1350	1440
1500	1600	1800	2000	2160	2250	2400	2700	2880	3000
3600	4000	4320	4500	4800	5400	6000	7200	8000	9000
10800	12000								

## 4.4 Setting Commands

### SR Sets the input range.

#### When setting channels to skip

Syntax SR p1,p2<terminator>  
 p1 Channel number  
 p2 Measurement mode (SKIP)

Query SR[ p1 ]?

Example Set channel 01 to skip.  
 SR 01,SKIP

Description • This command cannot be specified while computation is in progress.  
 • Measurements are not made on channels that are set to SKIP.

#### When setting channels to voltage, TC, RTD, or ON/OFF input

Syntax SR p1,p2,p3,p4,p5<terminator>  
 p1 Channel number  
 p2 Measurement mode (Input type)  
     VOLT DC voltage  
     TC Thermocouple  
     RTD Resistance temperature detector  
     DI ON/OFF input  
 p3 Range type  
 p4 Leftmost value of span  
 p5 Rightmost value of span

Query SR[ p1 ]?

Example Measure 0°C to 1760.0°C on channel 01 using thermocouple type R.  
 SR 01,TC,R,0,17600

Description • This command cannot be specified while computation is in progress.  
 • Set p3 according to the table in section 4.3.  
 • For p4 and p5, enter an integer value of 5 digits or less according to the table in section 4.3. The decimal position is fixed to the position indicated in the table in section 4.3.

#### When setting channels to 1-5V range

Syntax SR p1,p2,p3,p4,p5,p6,p7,p8<terminator>  
 p1 Channel number  
 p2 Measurement mode (Input type) (1-5V)  
 p3 Leftmost value of span  
 p4 Rightmost value of span  
 p5 Leftmost value of scaling (–20000 to 30000)  
 p6 Rightmost value of scaling (–20000 to 30000)  
 p7 Scale decimal point position (0 to 4)  
 p8 Whether to use 1-5V low-cut function (ON, OFF)

Query SR[ p1 ]?

Example Set channel 01 to 1-5V range and scale the input value in the range 0.0 to 1200.0. Do not use the low-cut function.  
 SR 01,1-5V,1000,5000,0,12000,1,OFF

Description • This command cannot be specified while computation is in progress.  
 • For p3 and p4, enter an integer value of 5 digits or less according to the table in section 4.3. The decimal position is fixed to the position indicated in the table in section 4.3.  
 • Be sure that p6 is greater than p5.  
 • Parameter p8 is valid only when the low-cut function is enabled (see the UF command).

#### When computing the difference between channels

Syntax SR p1,p2,p3,p4,p5<terminator>  
 p1 Channel number  
 p2 Measurement mode (DELTA)  
 p3 Reference channel  
 p4 Leftmost value of span  
 p5 Rightmost value of span

Query SR[ p1 ]?

Example Set channel 03 to channel difference computation with respect to channel 01 (reference channel). Set the leftmost and rightmost values of span to –200.0 and 200.0, respectively.  
 SR 03,DELTA,01,-2000,2000

Description • This command cannot be specified while computation is in progress.  
 • The reference channel must be a channel that is smaller in channel number than itself.  
 • The range type is the same as that of the reference channel.  
 • For p4 and p5, enter an integer value of 5 digits or less according to the table in section 4.3. The decimal position is fixed to the position indicated in the table in section 4.3.

#### When setting the linear scaling

Syntax SR p1,p2,p3,p4,p5,p6,p7,p8,p9<terminator>  
 p1 Channel number  
 p2 Measurement mode (SCALE)  
 p3 Input type  
     VOLT DC voltage  
     TC Thermocouple  
     RTD Resistance temperature detector  
     DI ON/OFF input  
 p4 Range type  
 p5 Leftmost value of span  
 p6 Rightmost value of span  
 p7 Leftmost value of scaling (–20000 to 30000)  
 p8 Rightmost value of scaling (–20000 to 30000)  
 p9 Scaling decimal point position (0 to 4)

Query SR[ p1 ]?

Example Scale channel 02 whose input range is 0 to 10 V to –100.0 to 500.0.  
 SR 02,SCALE,VOLT,20V,0,1000,-1000,5000,1

- Description • This command cannot be specified while computation is in progress.
- Set p4 according to the table in section 4.3.
  - For p5 and p6, enter an integer value of 5 digits or less according to the table in section 4.3. The decimal position is fixed to the position indicated in the table in section 4.3.
  - Be sure that p8 is greater than p7.

#### When setting the square root

Syntax `SR p1,p2,p3,p4,p5,p6,p7,p8,p9,p10<terminator>`  
 p1 Channel number  
 p2 Measurement mode (SQRT)  
 p3 Range type  
 p4 Leftmost value of span  
 p5 Rightmost value of span  
 p6 Leftmost value of scaling (–20000 to 30000)  
 p7 Rightmost value of scaling (–20000 to 30000)  
 p8 Scaling decimal point position (0 to 4)  
 p9 Low-cut function (ON, OFF)  
 p10 Low-cut value

Query `SR[ p1 ]?`

Example Given channel 01 whose input range is 0 to 10 V, take the square root of the input value and scale the result in the range 0.00 (m<sup>3</sup>/s) to 100.00 (m<sup>3</sup>/s). When the input value is less than or equal to 5.0% of the recording span, use the low-cut function.  
`SR 01,SQRT,20V,0,1000,0,10000,2,ON,50`

- Description • This command cannot be specified while computation is in progress.
- Set p3 according to the table in section 4.3.
  - For p4 and p5, enter an integer value of 5 digits or less according to the table in section 4.3. The decimal position is fixed to the position indicated in the table in section 4.3.
  - Be sure that p7 is greater than p6.
  - Parameters p9 and p10 is valid only when the low-cut function is enabled (see the UF command).

#### **VB** Sets the bias.

Syntax `VB p1,p2,p3<terminator>`  
 p1 Channel number  
 p2 Bias ON/OFF (ON, OFF)  
 p3 Bias value

Query `VB[ p1 ]?`

Example Given channel 03 whose range type is 2V (measurable range: –2.000 to 2.000 V), add a bias of 0.1 V.  
`VB 03,ON,100`

- Description • Set p3 in the range of ±10% of the span of the measurable range at the range type or ±10% of the scaling span. Specify the value with an integer (see section 4.3).
- The bias setting is valid only when the bias function is enabled (see the UF command).

#### **VL** Sets the calibration correction (/CC1 option).

Syntax `VL,p1,p2,p3,p4,...,p33,p34<terminator>`  
 p1 Channel number  
 p2 Calibration correction function (ON, OFF)  
 p3 correction point  
 p4 Correction value  
 ...  
 p33 Set point  
 p34 Correction value

Query `VL[ p1 ]?`

Example Set three sets of correction point and correction values when channel 02 is set to 2 V range (measurable range: –2.000 V to 2.000 V) and the calibration correction mode is set to Revise Value. (0.000 and 0.001), (1.000 and –0.002), and (2.000 and 0.001)  
`VL 02,ON,0,1,1000,-2,2000,1`  
 Set three sets of correction point and correction values when channel 02 is set to 2 V range (measurable range: –2.000 V to 2.000 V) and the calibration correction mode is set to Abs. Value.  
`VL 02,ON,0,1,1000,998,2000,2001`

- Description • The number of parameters p3 to p34 varies depending on the number of points specified by the basic setting command UQ.
- If the input type of the source channel is VOLT, TC, or RTD, the range of the correction point and correction values is the same as the range of the range type (see section 4.3).
  - If the measurement mode of the source channel is SCALE or 1-5V, the range of the correction point and correction values is –5% to 105% of the scaling range or –20000 to 30000.
    - The following limitations exist.
    - $p3 < p5 \leq \dots \leq p31 \leq p33$
    - During revise value mode  
 $p3+p4 < p5+p6 < \dots < p33+p34$
    - During absolute value mode  
 $p4 < p6 < \dots < p32 < p34$

#### **SA** Sets the alarm.

##### When not using the alarm

Syntax `SA p1,p2,p3<terminator>`  
 p1 Channel number  
 p2 Alarm number (1 to 4)  
 p3 Alarm ON/OFF state (OFF)

Query `SA[ p1[,p2] ]?`

Example Do not use alarm number 4 of channel 01.  
`SA 01,4,OFF`

##### When using the alarm

Syntax `SA p1,p2,p3,p4,p5,p6,p7<terminator>`  
 p1 Channel number  
 p2 Alarm number (1 to 4)

## 4.4 Setting Commands

p3	Alarm ON/OFF state (ON)
p4	Alarm type
	H High limit alarm
	L Low limit alarm
	h Difference high limit alarm
	l Difference low limit alarm
	R High limit on rate-of-change alarm
	r Low limit on rate-of-change alarm
	T Delay high limit alarm
	t Delay low limit alarm
	(Characters are case-sensitive.)
p5	Alarm value
p6	Relay output
	ON Relay ON
	OFF Relay OFF
p7	Relay number ( $\mu$ R10000: I01 to I06, $\mu$ R20000: I01 to I06, I11 to I16, I21 to I26, I31 to I36)
Query	SA[ p1[ , p2 ] ]?
Example	Set a high limit alarm (alarm value = 1000) on alarm number 1 of channel 02 and output to relay I01. SA 02, 1, ON, H, 1000, ON, I01
Description	<ul style="list-style-type: none"> <li>• When the input range is set to SKIP (SR command), p3 cannot be turned ON.</li> <li>• The alarm settings are all turned OFF for the following cases. <ul style="list-style-type: none"> <li>• When the input type is changed (VOLT, TC, etc).</li> <li>• When the range type is changed.</li> <li>• When the span and scaling values are changed during linear scaling (includes changing the decimal position).</li> </ul> </li> <li>• The h and l settings of p4 are valid only when the measurement range is set to computation between channels.</li> <li>• The hysteresis of alarm ON/OFF (valid when p4 is H or L) is set using the XA command.</li> <li>• If p4 is set to R or r, set the interval for the high/low limit on the rate-of-change using the XA command.</li> <li>• The T and t settings of p4 can be specified when the alarm delay function is enabled (UF command).</li> <li>• If p4 is set to T or t, set the alarm delay time for the delay high/low limit alarm using the BD command.</li> <li>• Parameter p5 for the high limit alarm/low limit alarm and delay high limit alarm/delay low limit alarm <ul style="list-style-type: none"> <li>• For DC voltage, TC, and RTD input: Values within the measurable range in the specified range (example: -2.000 to 2.000 V for the 2 V range).</li> <li>• For ON/OFF input (DI): 0 or 1.</li> </ul> </li> </ul>

- For scaling (1-5V, scaling, and square root): -5 to 105% of the scale span (except within -20000 to 30000).
- Parameter p5 for the difference high limit alarm/difference low limit alarm: Values in the measurable range can be specified (example: -1760.0 to 1760.0°C for the TC type R).
- Parameter p5 for the high limit on rate-of-change alarm/low limit on rate-of-change alarm: A value greater than or equal to 1 digit can be specified. For example, 1 digit corresponds 0.001 for the 2 V range (measurable range: -2.000 to 2.000 V). The maximum value that can be specified is the width of the measurable range (4.000 V for 2 V range). For ON/OFF input, only "1" can be specified.
- On models with the computation function (/M1 option), alarms can be set on computation channels.
  - When the computation equation setting (SO command) is turned OFF, p3 cannot be turned ON.
- For computation channels, the alarm types that can be specified are H (high limit alarm), L (low limit alarm), T (delay high limit alarm), and t (delay low limit alarm). T and t can be specified when the alarm delay function is enabled (UF command).
- If p4 is set to T or t, set the alarm delay time for the delay high/low limit alarm using the BD command.
- Set p5 within the range -9999999 to 99999999 excluding the decimal using an integer.
- The alarm ON/OFF hysteresis is set using the XA command.
- If the computation channel ON/OFF state, the computing equation, or the span value is changed, all alarm settings of that channel are turned OFF.

### **SN** Sets the unit.

Syntax	SN p1, p2<terminator>
	p1 Channel number
	p2 Unit string (up to 6 characters)
Query	SN[ p1 ]?
Example	Set the unit of channel 02 to M/H. SN 02, M/H
Description	<ul style="list-style-type: none"> <li>• The unit setting is valid on channels set to 1-5V, scaling, or square root.</li> <li>• For the characters that can be used for the units, see appendix 1, "ASCII Character Codes."</li> <li>• On models with the computation function (/M1 option), unit can be set on computation channels.</li> </ul>

**SC Sets the chart speed.**

**Syntax** SC p1<terminator>  
p1 Chart speed

**Query** SC?

**Example** Set the chart speed to 25 mm/h.  
SC 25

**Description** Select the chart speed from the list of choices below.  
Pen model  
5 to 12000 mm/h (82 levels, see section 4.3)  
Dot model  
1 to 1500 mm/h (1 mm steps)

**SD Sets the date and time.**

**Syntax** SD p1<terminator>  
p1 Date and time (fixed to the YY/MM/DD  
HH:MM:SS format)  
YY Year (00 to 99, the lower 2  
digits)  
MM Month (01 to 12)  
DD Day (01 to 31)  
HH Hour (00 to 23)  
MM Minute (00 to 59)  
SS Second (00 to 59)

**Query** SD?

**Example** Set the recorder clock to 13:00:00, December 1,  
2004.  
SD 04/12/01 13:00:00

**Description**

- The format of p1 is fixed to 17 characters. An error results if a space is inserted in positions other than the specified positions.
- On the  $\mu$ R10000 with system version 1.02 or earlier, the parameter p2 can be used.  
p2 Standard time or DST (winter, summer)  
winter Standard time  
summer DST

**VT Sets the dot printing interval (dot model).**

**Syntax** VT p1<terminator>  
p1 Dot printing interval setting.  
AUTO Automatically adjust the dot  
printing interval according to  
the chart speed.  
FIX Record at the fastest printing  
interval.

**Query** VT?

**Example** Record at the fastest printing interval.  
VT FIX

**Description** When trend recording is performed on 6  
channels, the fastest printing interval is 10  
seconds.

**SZ Sets zone recording.**

**Syntax** SZ p1 , p2 , p3<terminator>  
p1 Channel number  
p2 Leftmost position of the zone ( $\mu$ R10000: 0  
to 95,  $\mu$ R20000: 0 to 175) [mm]  
p3 Rightmost position of the zone ( $\mu$ R10000: 5  
to 100,  $\mu$ R20000: 0 to 180) [mm]

**Query** SZ [ p1 ]?

**Example** Display channel 02 in a zone between 30 and 50  
mm.  
SZ 02 , 30 , 50

**Description**

- Be sure that p3 is greater than p2 and that the zone width (p3 – p2) is greater than or equal to 5 mm.
- On models with the computation function (/M1 option), computation channels can be specified.

**SP Sets the partial expanded recording.**

**Syntax** SP p1 , p2 , p3 , p4<terminator>  
p1 Channel number  
p2 Partial expanded recording ON/OFF (ON,  
OFF)  
p3 Boundary position (1 to 99) [%]  
p4 Boundary value

**Query** SP [ p1 ]?

**Example** Set the 25% position of channel 01 to 1.000 V.  
SP 01 , ON , 25 , 1000

**Description**

- When the input range is set to SKIP (SR command), p2 cannot be turned ON.
- Set p3 as a percentage where 100 mm is assumed to be 100%.
- Parameter p4 can be set in the range (leftmost value of span + 1) to (rightmost value of span – 1). If scaling is enabled, the range is (leftmost value of scaling – 1) to (rightmost value of scaling + 1). Set the parameter using an integer.
- This setting is possible when partial expanded recording is enabled (UK command).
- This command cannot be used if the partial expanded recording range does not exist (when the span width is set to 1, for example).
- On models with the computation function (/M1 option), computation channels can be specified.
- When the computation equation setting (SO command) is turned OFF, p2 cannot be turned ON.



## 4.4 Setting Commands

### **VR** Turns ON/OFF the recording on each channel.

#### **Dot model**

**Syntax** VR p1 , p2 , p3 <terminator>  
p1 Channel number  
p2 Trend recording ON/OFF (ON, OFF)  
p3 Periodic printout ON/OFF (ON, OFF)

**Query** VR[ p1 ]?

**Example** Turn trend recording ON and turn periodic printout OFF on channel 06.  
VR 06 , ON , OFF

**Description** On models with the computation function (/M1 option), computation channels can be specified.

#### **Pen model**

**Syntax** VR p1 , p2 <terminator>  
p1 Channel number  
p2 Periodic printout ON/OFF (ON, OFF)

**Query** VR[ p1 ]?

**Example** Turn periodic printing ON on channel 01.  
VR 01 , ON

**Description** On models with the computation function (/M1 option), computation channels can be specified.

### **ST** Sets the tag.

**Syntax** ST p1 , p2 <terminator>  
p1 Channel number  
p2 Tag string (up to 7 characters)

**Query** ST[ p1 ]?

**Example** Set the tag of channel 02 to TI-2.  
ST 02 , TI-2

**Description** • For the characters that can be used for the tags, see appendix 1, "ASCII Character Codes."  
• On models with the computation function (/M1 option), computation channels can be specified.

### **SG** Sets the message.

**Syntax** SG p1 , p2 <terminator>  
p1 Message number (1 to 5)  
p2 Message string (up to 16 characters)

**Query** SG[ p1 ]?

**Example** Set character string "START" in message number 1.  
SG 1 , START

**Description** For the characters that can be used for the messages, see appendix 1, "ASCII Character Codes."

### **SE** Sets the secondary chart speed (used by the remote control function (/R1 option)).

**Syntax** SE p1 <terminator>  
p1 Secondary chart speed  
See the explanation.

**Query** SE?

**Example** Set the chart speed to 50 mm/h.  
SE 50

**Description** Select the chart speed from the list of choices below.  
Pen model  
5 to 12000 mm/h (82 levels, see section 4.3)  
Dot model  
1 to 1500 mm/h (1 mm steps)

### **SV** Sets the moving average (dot model).

**Syntax** SV p1 , p2 <terminator>  
p1 Channel number  
p2 Number of samples for computing the moving average (OFF, 2 to 16) [times]

**Query** SV[ p1 ]?

**Example** Set the number of samples for computing the moving average of channel 02 to 12.  
SV 02 , 12

**Description** • This setting is available on the dot model.  
• This setting is possible when moving average is enabled (UI command).

### **SF** Sets the input filter (pen model).

**Syntax** SF p1 , p2 <terminator>  
p1 Channel number  
p2 Filter time constant (OFF, 2s, 5s, 10s)

**Query** SF[ p1 ]?

**Example** Set the filter of channel 02 to 2 s.  
SF 02 , 2s

**Description** This setting is possible when the input filter is enabled (UJ command).

### **BD** Sets the alarm delay time.

**Syntax** BD p1 , p2 <terminator>  
p1 Channel number  
p2 Alarm delay (1 to 3600) [s]

**Query** BD[ p1 ]?

**Example** Set the alarm delay of channel 01 to 120 s.  
BD 01 , 120

**Description** • This setting is possible when the alarm delay function is enabled (UF command).  
• On models with the computation function (/M1 option), computation channels can be specified.

### **VF** Sets the brightness of the display (VFD) and internal illumination.

**Syntax** VF p1 , p2 <terminator>  
p1 VFD brightness (1 to 8)  
p2 Internal illumination (OFF, 1 to 4)  
OFF Turns OFF the internal illumination.

**Query** VF?

**Example** Set the display (VFD) brightness to 2 and the internal illumination to 1.  
VF 2,1

**Description** The brightness increases as the value increases.

### **TD Sets the DST.**

**Syntax** TD p1,p2,p3,p4,p5,p6,p7,p8,p9<terminator>  
p1 Use/Not use DST (USE, NOT)  
p2 DST start time: month (Jan, Feb, Mar, Apr, May, Jun, Jul, Aug, Sep, Oct, Nov, or Dec)  
p3 DST start time: number of the week in the month (1st, 2nd, 3rd, 4th, or Last)  
p4 DST start time: day of the week (Sun, Mon, Tue, Wed, Thu, Fri, or Sat)  
p5 DST start time: hour (0 to 23)  
p6 DST end time: month (Jan, Feb, Mar, Apr, May, Jun, Jul, Aug, Sep, Oct, Nov, or Dec)  
p7 DST end time: number of the week in the month (1st, 2nd, 3rd, 4th, or Last)  
p8 DST end time: day of the week (Sun, Mon, Tue, Wed, Thu, Fri, or Sat)  
p9 DST end time: hour (0 to 23)

**Query** TD[ p1 ]?

**Example** Enable DST and set the DST start time to hour 0 on the 2nd Sunday of June and the DST end time to hour 0 on the 2nd Sunday of December.  
TD Use,Jun,2nd,Sun,0,Dec,2nd,Sun,0

**Description**

- The DST start time and end time cannot be set to the same time.
- The TD command can be used on the  $\mu$ R10000 and  $\mu$ R20000 with system version 1.11 or later. On the  $\mu$ R10000 with system version 1.02 or earlier, use the SS command.

### **SS Sets the DST.**

**Syntax** SS p1,p2,p3<terminator>  
p1 Standard time/DST selection  
Winter Standard time  
Summer DST  
p2 Switch time setting ON/OFF (ON, OFF)  
p3 Date and time (fixed to the YY/MM/DD HH format)  
YY Year (00 to 99, the lower 2 digits)  
MM Month (01 to 12)  
DD Day (01 to 31)  
HH Hour (00 to 23)

**Query** SS[ p1 ]?

**Example** Switch to DST on 0 hour of June 1st, 2005.  
SS Summer,ON,05/06/01 00

**Description**

- Parameter p3 is not available when p2 is OFF.
- The SS command can be used on the  $\mu$ R10000 with system version 1.02 or earlier.

### **SO Sets the computing equation (/M1 option).**

**Syntax** SO p1,p2,p3,p4,p5,p6<terminator>  
p1 Computation channel number  
p2 Turn ON/OFF the computing equation (ON, OFF)  
p3 Computing equation (up to 120 characters)  
p4 Leftmost value of span (-9999999 to 9999999)  
p5 Rightmost value of span (-9999999 to 9999999)  
p6 Span decimal point position (0 to 4)

**Query** SO[ p1 ]?

**Example** Calculate the sum of channel 01 and 02 on computation channel 0A. Set the leftmost and rightmost values of span to -10.00 and 15.00, respectively.  
SO 0A,ON,01+02,-1000,1500,2

**Description**

- This command cannot be specified while computation is in progress.
- For a description on the computing equations, see the  *$\mu$ R10000 Recorder User's Manual* or the  *$\mu$ R20000 Recorder User's Manual*.
- For p4 and p5, enter a value using 7 digits or less ,excluding the decimal, for negative numbers and 8 digits or less for positive numbers.

### **SK Sets the computation constant (/M1 option).**

**Syntax** SK p1,p2<terminator>  
p1 Constant number (K01 to K30)  
p2 Constant (up to 11 characters)  
The range is -9.9999E+29 to -1.0000E-30, 0, 1.0000E-30 to 9.9999E+29.  
(The + sign of "E+" can be omitted.)

**Query** SK[ p1 ]?

**Example** Set 1.0000E-10 to constant K01.  
SK K01,1.0000E-10

**Description** This command cannot be specified while computation is in progress.

### **SJ Sets the timer used in TLOG computation (/M1 option).**

**Syntax** SJ p1,p2,p3<terminator>  
p1 Computation channel number  
p2 Timer number (Periodic, 1, 2)  
p3 Sum scale (for TLOG.SUM)  
OFF Integrates the data per scan interval.  
/s Integrates the physical amount that are in unit of /s.  
/min Integrates the physical amount that are in unit of /min.  
/h Integrates the physical amount that are in unit of /hour.  
/day Integrates the physical amount that are in unit of /day.

## 4.4 Setting Commands

Query SJ[ p1 ]?

Example Enable timer 1 on computation channel 0B. No sum scale designation.  
SJ 0B,1,OFF

Description

- This command cannot be specified while computation is in progress.
- About p3  
The data for sum computation are sampled every scan interval. For data with units such as /s, /min, /h, and /day as in a flow rate, the data can be summed over the unit time as shown below. Parameter p3 is valid only for sum values.
  - OFF  $\Sigma$  (measured value)
  - /s  $\Sigma$  (measured value)  $\times$  scan interval
  - /min  $\Sigma$  (measured value)  $\times$  scan interval/60
  - /h  $\Sigma$  (measured value)  $\times$  scan interval/3600
  - /day  $\Sigma$  (measured value)  $\times$  scan interval/(3600 $\times$ 24)

The unit of the scan interval is seconds.

### **VD** Sets the data display screen.

#### On screens without detailed parameters

Syntax VD p1,p2<terminator>

p1 Screen number (01 to 15)

p2 Display type

4CH bargraph  
4-channel bar graph display (pen model)

6CH bargraph  
6-channel bar graph display ( $\mu$ R10000 dot model)

Channel alarm status  
Channel alarm status display

Time/Chart speed  
Date/Time/Chart speed display

DI/DO  
DI/DO status display

STATUS  
Status display

System  
System display

Batch name  
Batch name (/BT1 option)

Lights out  
Screen OFF

SKIP  
Skip

Query VD[ p1 ]?

Example Assign the status display to screen 02.  
VD 02,STATUS

#### On screens with the displayed channel switching interval

Syntax VD p1,p2,p3<terminator>

p1 Screen number (01 to 15)

p2 Display type

1CH digital  
1-channel digital display

2CH digital  
2-channel digital display

4CH digital  
4-channel digital display

6CH digital  
6-channel digital display (dot model)

12CH digital  
12-channel digital display ( $\mu$ R20000 12, 18 and 24 dot model)

1CH digital+1CH bargraph  
1-channel digital display + 1 channel bar graph display

1CH digital+4CH bargraph  
1-channel digital display + 4 channel bar graph display (pen model)

2CH digital+2CH bargraph  
2-channel digital display + 2 channel bar graph display

Tag\_1CH digital  
1-channel digital display (tag)

Tag\_2CH digital  
2-channel digital display (tag)

Tag\_1CH digital+1CH bargraph  
1-channel digital display + 1 channel bar graph display (tag)

Tag\_1CH digital+4CH bargraph  
1-channel digital display + 4 channel bar graph display (tag, pen model)

p3 Displayed channel switching interval

MANUAL Fixed display channels, data update rate (pen model): 2 s, data update rate (dot model): scan interval

AUTO1S Switch the displayed channels and data every second.

AUTO2S Switch the displayed channels and data every 2 seconds.

AUTO3S Switch the displayed channels and data every 3 seconds.

AUTO4S Switch the displayed channels and data every 4 seconds.

AUTO5S Switch the displayed channels and data every 5 seconds.

Query VD[ p1 ]?

**Example** Assign the 2-channel digital display to screen 04 and automatically switch the displayed channels every 5 seconds.  
 VD 04,2CH digital,AUTO5S

#### For flag display

**Syntax** VD p1,p2,p3<terminator>  
 p1 Screen number (01 to 15)  
 p2 Display type  
 FLAG Flag display (fixed)  
 p3 Display ON/OFF for each channel  
 Specify the ON/OFF state of each channel with 1 or 0 (see the explanation).

**Query** VD[ p1]?

**Example 1** On the 6-dot model, assign the flag display to screen 03 and display the flags of channel 01 and 02.  
 VD 03,FLAG,110000

**Example 2** On the 2-pen model with the computation function (/M1 option), assign the flag display to screen 03 and display the flags of measurement channel 02 and computation channels 0A, 0B, 0E, and 0F.  
 VD 03,FLAG,01-11001100

**Description** Use the format below to specify the display ON/OFF state of each channel.

- List the values one after another for all channels and separate the measurement channels and computation channels with a hyphen.
- Channels cannot be omitted.
- The characters after the hyphen are valid only on models with the computation function (/M1 option).

#### For multiple display (display in which different screens can be assigned to the top and bottom sections)

**Syntax** VD  
 p1,p2,p3,p4,p5,p6,p7,p8,p9,p10,p11,p12<terminator>  
 p1 Screen number (01 to 15)  
 p2 Display type  
 Multiple display  
 Display in which different screens can be assigned to the top and bottom sections  
 p3 Top section display type  
 1CH digital  
 1-channel digital display  
 2CH digital  
 2-channel digital display  
 3CH digital  
 3-channel digital display ( $\mu$ R20000)  
 TIME  
 Date/Time ( $\mu$ R10000)  
 Chart speed  
 Chart speed ( $\mu$ R10000)

TIME/Chart speed  
 Date/Time/Chart speed ( $\mu$ R20000)  
 Channel alarm status  
 Channel alarm status display  
 STATUS  
 Status display  
 Lights out  
 Screen OFF  
 Tag\_1CH digital  
 1-channel digital display (tag)

#### Note

Parameters that become invalid due to p3, p4, p8, or p9 setting are skipped, and the next parameter is brought forward.

p4 Displayed channel switching interval  
 Condition: Set this parameter when p3 is 1CH digital or 2CH digital.  
 MANUAL Fixed display channels, data update rate (pen model): 2 s, data update rate (dot model): scan interval  
 AUTO1S Switch the displayed channels and data every 1 second.  
 AUTO2S Switch the displayed channels and data every 2 seconds.  
 AUTO3S Switch the displayed channels and data every 3 seconds.  
 AUTO4S Switch the displayed channels and data every 4 seconds.  
 AUTO5S Switch the displayed channels and data every 5 seconds.

p5 Channel number  
 Condition: This parameter can be specified when p3 is 1CH digital, 2CH digital, or Tag\_1CH digital and p4 is MANUAL.

p6 2nd channel number  
 Condition: This parameter is specified when p3 is 2CH digital and p4 is MANUAL.

p7 3rd channel number  
 Condition: This parameter is specified when p3 is 3CH digital and p4 is MANUAL.

p8 Bottom section display type  
 Same as p3

p9 Displayed channel switching interval  
 Same as p4

p10 Channel number  
 Same as p5

p11 2nd channel number  
 Same as p6

p12 3rd channel number  
 Same as p7

## 4.4 Setting Commands

Query VD[ p1 ]?  
Example Assign the display in which different screens can be assigned to the top and bottom sections to screen 09. Set the top section to status display and the bottom section to 1-channel digital display. Switch the displayed channel every 3 seconds (parameters p5 to p7, p10, and p12 explained above are omitted).  
VD 09, Multiple display, STATUS, 1CH digital, AUTO3S

### **CM** Sets the communication input data (/M1 option).

Syntax CM p1, p2<terminator>  
p1 Communication input data number (see section 4.3)  
p2 Communication input data  
The selectable range is -9.9999E+29 to -1.0000E-30, 0, 1.0000E-30 to 9.9999E+29. (The + sign of "E+" can be omitted.)  
Query CM?  
Example Set 1.0000E-10 to communication input data number C01.  
CM C01, 1.0000E-10

### **FR** Sets the interval for acquiring data to the FIFO buffer.

Syntax FR p1<terminator>  
p1 Pen model: 125ms, 250ms, 500ms, 1s, 2s, 2.5s, 5s, 10s  
Dot model: 1s, 2s, 2.5s, 5s, 10s  
Query FR?  
Example Set the acquiring interval to the FIFO buffer to 1 s.  
FR 1s  
Description • Set the acquiring interval to an integer multiple of the scan interval that is greater than the scan interval.  
• The scan interval on the pen model is 125 ms.  
• The scan interval on the dot model varies depends on the integration time of the A/D converter as follows:  
When the integration time is 16.7 ms or 20 ms;  
6 channels: 1 s  
12, 18, or 24 channels: 2.5 s  
When the integration time is 100 ms;  
6 channels: 2.5 s  
12 channels: 5 s  
18 and 24 channels: 10 s

### **VH** Sets the batch number and lot number (/BT1 option).

#### When setting the batch number

Syntax VH p1, p2<terminator>  
p1 BATCH  
p2 Batch number (up to 26 characters)  
Query VH[ p1 ]?

Example Set character string Product as a batch number.  
VH BATCH, Product  
Description Valid with the header printout (/BT1 option) when set to use Start printout/End printout (see the UE command).

#### When setting lot number for the 4 digits

Syntax VH p1, p2<terminator>  
p1 LOT  
p2 0000-9999  
Query VH[ p1 ]?  
Example Set 0001 as the lot number.  
VH LOT, 0001  
Description Valid with the header printout (/BT1 option) when lot number is set to 4 digits (see the UE command).

#### When setting lot number for the 6 digits

Syntax VH p1, p2<terminator>  
p1 LOT  
p2 000000-999999  
Query VH[ p1 ]?  
Example Set 000001 as the lot number.  
VH LOT, 000001  
Description Valid with the header printout (/BT1 option) when lot number is set to 6 digits (see the UE command).

### **VC** Sets the batch comment (/BT1 option).

Syntax VC p1, p2, p3<terminator>  
p1 Mode selection  
START Start printout  
END End printout  
START2 Start printout 2  
END2 End printout 2  
p2 line number (up to 5)  
p3 Batch comment  
(μR10000: up to 32 chars., μR20000: up to 64 chars.)  
Query VC[ p1[ , p2 ] ]?  
Example Set the string Batch start to the first line of the Start printout Batch comment.  
VC START, 1, Batch start  
Description • Valid with the header printout (/BT1 option) when set to use Start printout/End printout (see the UE command).  
• Start printout 2 and End printout 2 valid when set to use Start printout 2 and End printout 2 (see the UE command).

**VP Turns Start printout/End printout ON/OFF (/BT1 option).**

Syntax	VP p1,p2,p3,p4<terminator>
	p1 Mode selection
	START Start printout
	END End printout
	START2 Start printout 2
	END2 End printout 2
	p2 Batch name printout ON/OFF (ON, OFF)
	p3 Chart speed printout ON/OFF (ON, OFF)
	p4 Date/time printout ON/OFF (ON, OFF)
Query	VP[ p1 ]?
Example	Turn the Start printout batch name (batch number and lot number) ON, chart speed OFF, and date/time ON.
	VP START,ON,OFF,ON
Description	<ul style="list-style-type: none"> <li>Valid with the header printout (/BT1 option) when set to use Start printout/End printout (see the UE command).</li> <li>Start printout 2 and End printout 2 valid when set to use Start printout 2 and End printout 2 (see the UE command).</li> </ul>

**VA Sets the Start printout/End printout action (/BT1 option).****When setting Start printout**

Syntax	VA p1,p2<terminator>
	p1 Mode selection
	START Start printout
	START2 Start printout 2
	p2 Feed amount before Start printout (0-50) [mm]
Query	VA[ p1 ]?
Example	Set feed amount before Start printout to 10 mm.
	VA START,10
Description	<ul style="list-style-type: none"> <li>Valid with the header printout (/BT1 option) when set to use Start printout/End printout (see the UE command).</li> <li>Start printout 2 valid when set to use Start printout 2 and End printout 2 (see the UE command).</li> </ul>

**When setting End printout**

Syntax	VA p1,p2,p3,p4,p5<terminator>
	p1 Mode selection
	END End printout
	END2 End printout 2
	p2 Feed amount after End printout (0-50) [mm]
	p3 Lot number automatic updating ON/OFF (ON, OFF)
	p4 Pen offset compensating recording ejection ON/OFF (ON, OFF)
	p5 Select chart speed when ejecting pen offset compensating record.
	C.SPEED Chart speed setting
	450mm/h Fixed to 450 mm/h
Query	VA[ p1 ]?

Example Set feed amount after End printout to 10 mm.  
VA END,10

Description

- Valid with the header printout (/BT1 option) when set to use Start printout/End printout (see the UE command).
- End printout 2 valid when set to use Start printout 2 and End printout 2 (see the UE command).
- P3 valid when lot number is set to 4 or 6 digits (see the UE command).
- P4 valid when POC is set to ON with the pen model (see the UE command).
- P5 is valid when p4 is ON.

**VM Sets the message format (/BT1 option).**

Syntax	VM p1,p2<terminator>
	p1 Message number (1-5)
	p2 Message format setting
	(μR10000: up to 35 chars., μR20000: up to 69 chars.)
	H:M Hours:minutes (5 characters)
	H:M:S Hours:minutes:seconds (8 characters)
	M/D H:M Month/day hours:minutes (11 characters)
	M/D H:M:S Month/day hours:minutes:seconds (14 characters)
	D/M H:M Day/month hours:minutes (11 characters)
	D/M H:M:S Day/month hours:minutes:seconds (14 characters)
	D.M H:M Day.month hours:minutes (11 characters)
	D.M H:M:S Day.month hours:minutes:seconds (14 characters)
	M.D H:M Month.day hours:minutes (12 characters)
	M.D H:M:S Month.day hours:minutes:seconds (15 characters)
	Y/M/D H:M:S Year/month/day hours:minutes:seconds (19 characters)
	M/D/Y H:M:S Month/day/year:hours:minutes:seconds (19 characters)
	D/M/Y H:M:S Day/month/year hours:minutes:seconds (19 characters)
	D.M.Y H:M:S Day.month.year hours:minutes:seconds (19 characters)
	M.D.Y H:M:S Month/day/year hours:minutes:seconds (20 characters)

#### 4.4 Setting Commands/4.5 Basic Setting Commands

```

01      Measured value of CH01
        (7 characters)
02      Measured value of CH02
        (7 characters)
:
24      Measured value of CH24
        (7 characters)
(The valid range from 01-24 depends on the
model).
0A      Computation channel 0A
        (9 characters)
0B      Computation channel 0B
        (9 characters)
:
1P      Computation channel 1P
        (9 characters)
(The valid range from 0A-1P depends on
the model).
L01     Message 1 character
        (1 character)
L02     Message 2 characters
        (2 characters)
:
L16     Message 16 characters
        (16 characters)
_       Space (1 character)

```

Query VM[ p1]?

Example Message 1 string: Process-1°C

Message 1 printout result:

06/30 10:10 Process-1 134.8°C

Message format 1:

VM 1,M/D H:M L09 01L02

- Description
- Valid with the header printout (/BT1 option) when set to use message format (see the UE command).
  - Prints out in the order for parameters specified by the message format.
  - The specified number of characters specified for standard function messages is used, then if a subsequent character string has been set, it is used next. Also, it can only be used once for the message format.
  - The parentheses ( ) indicate the number of characters used. Set the message format so that the total number of characters does not exceed the maximum number allowed.

## 4.5 Basic Setting Commands

- In order to activate the settings that are changed using the basic setting commands, the settings must be saved using the YE or XE command.
- The settings that are returned in response to a query in the basic setting mode will contain the new settings even if they are not saved.

### Note

- The settings that are changed using the YS/YB/YA/YN/YD/YQ/YK command and saved using the XE command are activated after power-cycling the recorder.
- When the YE command is executed, communication is dropped.

## XA Sets alarm related settings.

Syntax XA p1,p2,p3,p4,p5,p6,p7,p8,p9,p10  
<terminator>

p1 Fault diagnosis output ON/OFF (ON, OFF)  
p2 Reflash operation ON/OFF (ON, OFF)  
p3 Relays that are to operate using AND logic  
NONE None (all relays operate using OR logic)

I01 I01  
I01-I02 I01, I02  
I01-I03 I01 to I03  
I01-I04 I01 to I04  
I01-I05 I01 to I05  
I01-I06 I01 to I06  
I01-I11 I01 to I11 (μR20000)  
I01-I12 I01 to I12 (μR20000)  
I01-I13 I01 to I13 (μR20000)  
I01-I14 I01 to I14 (μR20000)  
I01-I15 I01 to I15 (μR20000)  
I01-I16 I01 to I16 (μR20000)  
I01-I21 I01 to I21 (μR20000)  
I01-I22 I01 to I22 (μR20000)  
I01-I23 I01 to I23 (μR20000)  
I01-I24 I01 to I24 (μR20000)  
I01-I25 I01 to I25 (μR20000)  
I01-I26 I01 to I26 (μR20000)  
I01-I31 I01 to I31 (μR20000)  
I01-I32 I01 to I32 (μR20000)  
I01-I33 I01 to I33 (μR20000)  
I01-I34 I01 to I34 (μR20000)  
I01-I35 I01 to I35 (μR20000)  
I01-I36 I01 to I36 (μR20000)

p4 Energize/De-energize the relay  
ENERGIZE Energize the relay when an alarm is detected  
DE\_ENERGIZE De-energize the relay when an alarm is detected

p5	Hold/Not hold the relay
HOLD	Hold the relay output until an alarm acknowledge operation is executed
NONHOLD	Reset the relay output when the alarm is cleared.
p6	Hold/Not hold the alarm status display
HOLD	Hold the display until an alarm acknowledge operation is executed
NONHOLD	Clear the display output when the alarm is cleared.
p7	Interval for the high limit on rate-of-change alarm (01 to 15)
p8	Interval for the low limit on rate-of-change alarm (01 to 15)
p9	Alarm hysteresis on measurement channels (OFF, 0.1%, 0.2%, 0.3%, 0.4%, 0.5%, 0.6%, 0.7%, 0.8%, 0.9%, or 1.0%)
p10	Alarm hysteresis on computation channels (OFF, 0.1%, 0.2%, 0.3%, 0.4%, 0.5%, 0.6%, 0.7%, 0.8%, 0.9%, or 1.0%)
Query	XA?
Example	Enable fault diagnosis output. Disable reflash and AND operations. Set the relay operation to energize and hold. Set the alarm status display to hold. Set the interval for the high limit of rate-of-change alarm to 10, the interval for the low limit of rate-of-change alarm to 12, the measurement alarm hysteresis to 0.5%, and the computation alarm hysteresis to OFF. XA ON, OFF, NONE, ENERGIZE, HOLD, HOLD, 10, 12, 0.5%, OFF
Description	<ul style="list-style-type: none"> <li>The interval for the high limit of rate-of-change alarm is equal to "scan interval × p7" and the interval for the low limit of rate-of-change alarm is equal to "scan interval × p8."</li> <li>Parameter p10 can be specified on models with the computation function (/M1 option).</li> <li>For the details on the settings, see the <i>μR10000 Recorder User's Manual</i> or the <i>μR20000 Recorder User's Manual</i>.</li> </ul>

### **XI** Sets the A/D integral time.

Syntax	XI p1<terminator>
p1	Integration time of the A/D converter
AUTO	Automatically set in synch with the power supply frequency.
50HZ	20 ms
60HZ	16.7 ms
100MS	100 ms (dot model)
Query	XI?
Example	Set the A/D integral time to 50 Hz. XI 50HZ
Description	100 ms is available only on the dot model.

- If Auto is specified when using the 24-VDC power supply on a recorder with the 24-VDC/AC power supply (/P1 option), the integration time is fixed to 20 ms (50 Hz).

### **XB** Sets the burnout detection.

Syntax	XB p1, p2<terminator>
p1	Channel number
p2	The procedure taken when a sensor burnout is detected
OFF	Disable the burnout detection.
UP	Set the recording off the scale to the right when a burnout is detected.
DOWN	Set the recording off the scale to the left when a burnout is detected.
Query	XB[ p1]?
Example	Set the recording off the scale to the right when a sensor burnout is detected on channel 01. XB 01, UP

### **XJ** Sets the RJC.

#### When using the internal compensation circuit

Syntax	XJ p1, p2<terminator>
p1	Channel number
p2	Reference junction compensation selection (INTERNAL)
Query	XJ[ p1]?
Example	Use the internal compensation circuit on channel 01. XJ 01, INTERNAL

#### When using an external RJC

Syntax	XJ p1, p2, p3<terminator>
p1	Channel number
p2	Reference junction compensation selection (EXTERNAL)
p3	Compensation voltage (−20000 to 20000) [μV]
Query	XJ[ p1]?
Example	Set the reference junction compensation of channel 02 to external and set the compensation voltage to 0 μV. XJ 02, EXTERNAL, 0
Description	The unit of p3 is μV (microvolts).

### **UC** Changes the dot color (dot model).

Syntax	UC p1, p2<terminator>
p1	Channel number
p2	Dot color
PURPLE	
RED	
GREEN	
BLUE	
BROWN	
BLACK	
Query	UC[ p1]?



## 4.5 Basic Setting Commands

**Example** Set the dot color of channel 06 to purple.  
UC 06,PURPLE

**Description** On models with the computation function (/M1 option), the dot color of computation channels can be changed.

### **UO** Sets the pen offset compensation (pen model).

**Syntax** UO p1<terminator>  
p1 Pen offset compensation ON/OFF (ON, OFF)

**Query** UO?

**Example** Use the pen offset compensation.  
UO ON

### **UP** Sets the items to be printed.

#### **Pen model**

**Syntax** UP p1,p2,p3,p4,p5,p6<terminator>  
p1 Channel number/tag selection  
CHANNEL Print the channel number  
TAG Print the tag

p2 Alarm printout  
ON1 Print at alarm occurrence and release  
ON2 Print at alarm occurrence  
OFF Do not print

p3 Record start time printout ON/OFF (ON, OFF)  
p4 New chart speed printout ON/OFF (ON, OFF)  
p5 Scale printout ON/OFF (ON, OFF)  
p6 Recording color printout ON/OFF (ON, OFF)

**Query** UP?

**Example** Print tags. Print all items.  
UP TAG,ON1,ON,ON,ON,ON

#### **Dot model**

**Syntax** UP p1,p2,p3,p4,p5,p6<terminator>  
p1 Channel number/tag selection  
CHANNEL Print the channel number  
TAG Print the tag

p2 Channel number printout ON/OFF (ON, OFF) by the trend recording

p3 Alarm printout  
ON1 Print at alarm occurrence and release  
ON2 Print at alarm occurrence  
OFF Do not print

p4 Record start time printout ON/OFF (ON, OFF)  
p5 New chart speed printout ON/OFF (ON, OFF)  
p6 Scale printout ON/OFF (ON, OFF)

**Query** UP?

**Example** Print the channel numbers. Print all items.  
UP CHANNEL,ON,ON1,ON,ON,ON

### **UR** Sets the periodic printout interval.

**Syntax** UR p1,p2,p3,p4<terminator>  
p1 Print interval mode  
Auto Automatically set the interval according to the chart speed  
Manual Specify the interval

p2 Reference time (00 to 23 [hour])  
p3 Interval (10min, 12min, 15min, 20min, 30min, 1h, 2h, 3h, 4h, 6h, 8h, 12h, 24h) (when p1 is Manual)  
p4 Periodic printout mode  
OFF Disable periodic printout  
INST Print instantaneous values.  
REPORT Print the report data over the interval.

**Query** UR?

**Example** Carry out periodic printout every 2 hours with hour 0 as the reference. Print the measured values (instantaneous values) at each interval.  
UR Manual,00,2h,INST

**Description** • When p1 is set to Auto, the periodic printout interval synchronizes to the chart speed.  
• If p4 is set to REPORT, set the type of report data on each channel using the UM command.

### **UM** Sets the types of report data that are output to the periodic printout.

**Syntax** UM p1,p2,p3<terminator>  
p1 Channel number  
p2 Type of report data  
INST Instantaneous value  
AVE Average value  
MIN Minimum value  
MAX Maximum value  
SUM Sum value  
MIX Average + minimum + maximum values

p3 Sum scale  
OFF Integrates the data per scan interval.  
/s Integrates the physical amount that are in unit of /s.  
/min Integrates the physical amount that are in unit of /min.  
/h Integrates the physical amount that are in unit of /hour.  
/day Integrates the physical amount that are in unit of /day.

**Query** UM[ p1 ]?

**Example** Print the average values of channel 03 using periodic printout.  
UM 03,AVE

**Description** • This setting is possible when printing of report data (p4 is REPORT) is specified using the UR command.

- About p3  
The data for sum computation are sampled every scan interval. For data with units such as /s, /min, /h, and /day as in a flow rate, the data can be summed over the unit time. Parameter p3 is valid only for sum values.

- On models with the computation function (/M1 option), computation channels can be specified.

### **UB** Sets the display mode of the bar graph.

**Syntax** UB p1,p2<terminator>  
 p1 Channel number  
 p2 Bar graph display mode

NORMAL The reference position is set to the smaller of the two values, leftmost value and rightmost value.

CENTER The reference position is set to the 50% position.

**Query** UB [ p1 ] ?

**Example** Display channel 01 using a bar graph with the reference position set to the 50% position.  
 UB 01,CENTER

**Description** On models with the computation function (/M1 option), computation channels can be specified.

### **UI** Sets whether to use moving average (dot model).

**Syntax** UI p1<terminator>  
 p1 Use/Not use moving average (USE, NOT)

**Query** UI ?

**Example** Use moving average.  
 UI USE

### **UJ** Sets whether to use the input filter (pen model).

**Syntax** UJ p1<terminator>  
 p1 Use/Not use the input filter (USE, NOT)

**Query** UJ ?

**Example** Use the input filter.  
 UJ USE

### **UK** Sets whether to use of partial expanded recording.

**Syntax** UK p1<terminator>  
 p1 Use/Not use partial expanded recording (USE, NOT)

**Query** UK ?

**Example** Use partial expanded recording.  
 UK USE

### **UL** Selects the display/printout language.

**Syntax** UL p1<terminator>  
 p1 Language (ENGLISH, JAPANESE, GERMAN, FRENCH)

**Query** UL ?

**Example** Use English.  
 UL ENGLISH

### **XN** Selects the date format.

**Syntax** XN p1<terminator>  
 p1 Date format for displaying and printing  
 Y/M/D: (example) 2005/08/31  
 M/D/Y: (example) 08/31/2005  
 D/M/Y: (example) 31/08/2005  
 D.M.Y: (example) 31.08.2005  
 M.D.Y: (example) Aug.31.2005

**Query** XN ?

**Example** Set to the "2005/08/31" format.

XN Y/M/D

**Description** This setting applies to the format of the date shown on the display and the date printed on the periodic printout, manual printout, alarm printout, message printout, recording start printout, new chart speed printout, and start printout and end printout (header printout (/BT1 option)).

#### **Note**

How this setting applies to the time printout format of the alarm printout, message printout, recording start printout, and new chart speed printout: The setting specifies the format of the "M/D" and "Y/M/D" section when the time printout format is set to "M/D H:M," "M/D H:M:S," or "Y/M/D H:M:S."

### **XT** Selects the temperature unit.

**Syntax** XT p1<terminator>  
 p1 Temperature unit  
 C °C  
 F °F

**Query** XT ?

**Example** Use °F.

XT F

### **UF** Sets whether to use the extended functions.

**Syntax** UF p1,p2,p3,p4,p5<terminator>  
 p1 Bias function (USE, NOT)  
 p2 Square root low-cut function (USE, NOT)  
 p3 1-5V input low-cut function (USE, NOT)  
 p4 Alarm delay function (USE, NOT)  
 p5 Calibration correction function (USE, NOT) (/CC1 option). This cannot be used with the bias.

**Query** UF ?

**Example** Use the calibration correction extended function. The bias function is not used.

UF NOT,USE,USE,USE,USE

**Description**

- The input offset is set using the VB command.
- The low-cut function is set using the SR command.
- The delay alarm is set using the SA and BD commands.

## 4.5 Basic Setting Commands

- Parameter p5 can be specified on models with the calibration correction (/CC1 option). Use the UQ and VL commands to set the correction values.

### **UT** Selects the time printout format.

Syntax	UT p1 , p2 , p3 , p4 <terminator>												
p1	Time printout format of the alarm printout The available selections are the same as those of p2. None is not available.												
p2	Time printout format of the message printout <table border="0"> <tr> <td>HH:MM</td> <td>Hour:Minute</td> </tr> <tr> <td>HH:MM:SS</td> <td>Hour:Minute:Second</td> </tr> <tr> <td>M/D H:M</td> <td>Month Day Hour:Minute</td> </tr> <tr> <td>M/D H:M:S</td> <td>Month Day Hour:Minute:Second</td> </tr> <tr> <td>YMD H:M:S</td> <td>Month Day Year Hour:Minute:Second</td> </tr> <tr> <td>None</td> <td>No time printout</td> </tr> </table>	HH:MM	Hour:Minute	HH:MM:SS	Hour:Minute:Second	M/D H:M	Month Day Hour:Minute	M/D H:M:S	Month Day Hour:Minute:Second	YMD H:M:S	Month Day Year Hour:Minute:Second	None	No time printout
HH:MM	Hour:Minute												
HH:MM:SS	Hour:Minute:Second												
M/D H:M	Month Day Hour:Minute												
M/D H:M:S	Month Day Hour:Minute:Second												
YMD H:M:S	Month Day Year Hour:Minute:Second												
None	No time printout												
p3	Time printout format of the record start time printout The available selections are the same as those of p2. None is not available.												
p4	Time printout format of the new chart speed printout The available selections are the same as those of p2. None is not available.												
Query	UT?												
Example	Set the all time printouts to Hour:Minute format. UT HH:MM, HH:MM, HH:MM, HH:MM												

### **XR** Sets the remote control input (/R1 option).

Syntax	XR p1 , p2 <terminator>																										
p1	Remote control input terminal number (1 to 5)																										
p2	Action <table border="0"> <tr> <td>NONE</td> <td>No action</td> </tr> <tr> <td>Record On/Off</td> <td>Start/Stop recording.</td> </tr> <tr> <td>Chart speed</td> <td>Change the chart speed.</td> </tr> <tr> <td>Time adjust</td> <td>Reset the internal clock to the nearest hour.</td> </tr> <tr> <td>Math start/stop</td> <td>Start/Stop computation.</td> </tr> <tr> <td>Math reset</td> <td>Reset computation.</td> </tr> <tr> <td>Manual print</td> <td>Execute manual print.</td> </tr> <tr> <td>Alarm Ack</td> <td>Execute alarm acknowledge.</td> </tr> <tr> <td>Message1</td> <td>Print message 1</td> </tr> <tr> <td>Message2</td> <td>Print message 2</td> </tr> <tr> <td>Message3</td> <td>Print message 3</td> </tr> <tr> <td>Message4</td> <td>Print message 4</td> </tr> <tr> <td>Message5</td> <td>Print message 5</td> </tr> </table>	NONE	No action	Record On/Off	Start/Stop recording.	Chart speed	Change the chart speed.	Time adjust	Reset the internal clock to the nearest hour.	Math start/stop	Start/Stop computation.	Math reset	Reset computation.	Manual print	Execute manual print.	Alarm Ack	Execute alarm acknowledge.	Message1	Print message 1	Message2	Print message 2	Message3	Print message 3	Message4	Print message 4	Message5	Print message 5
NONE	No action																										
Record On/Off	Start/Stop recording.																										
Chart speed	Change the chart speed.																										
Time adjust	Reset the internal clock to the nearest hour.																										
Math start/stop	Start/Stop computation.																										
Math reset	Reset computation.																										
Manual print	Execute manual print.																										
Alarm Ack	Execute alarm acknowledge.																										
Message1	Print message 1																										
Message2	Print message 2																										
Message3	Print message 3																										
Message4	Print message 4																										
Message5	Print message 5																										

Priority R_RCD	Priority to remote recording
BatchCMT switch	Batch comment switching

Query	XR[ p1 ]?
Example	Assign the printout of message 2 to the remote control input of terminal number 1. XR 1,Message2
Description	<ul style="list-style-type: none"> <li>Math start/stop and Math reset can be specified on models with the computation function (/M1 option).</li> <li>"Priority R_RCD" and "BatchCMT switch" can be set on products with header printout (/BT1 option).</li> </ul>

### **YS** Sets the RS-422A/485 interface (/C3 option).

Syntax	YS p1 , p2 , p3 , p4 , p5 <terminator>
p1	Address (1 to 32)
p2	Baud rate (1200, 2400, 4800, 9600, 19200, 38400)
p3	Data length (7, 8)
p4	Parity check (ODD, EVEN, NONE)
p5	Protocol (NORMAL, MODBUS)
Query	YS?
Example	Set the address to 2, the baud rate to 9600, the data length to 8, the parity check to ODD, and the NORMAL protocol. YS 2,9600,8,ODD,NORMAL
Description	<ul style="list-style-type: none"> <li>The settings specified by this command and saved using the XE command take effect after the recorder is power cycled.</li> <li>If p5 is set to MODBUS, Modbus slave is selected.</li> </ul>

### **XQ** Sets the TLOG timer (/M1 option).

#### When not using the timer

Syntax	XQ p1 , p2 <terminator>
p1	Timer number (1 or 2)
p2	Timer type (OFF)
Query	XQ[ p1 ]?
Example	Disable the number 1 timer. XQ 1,OFF

#### When using an absolute timer

Syntax	XQ p1 , p2 , p3 , p4 , p5 , p6 <terminator>
p1	Timer number (1 or 2)
p2	Timer type (ABSOLUTE)
p3	Interval (10min, 12min, 15min, 20min, 30min, 1h, 2h, 3h, 4h, 6h, 8h, 12h, 24h)
p4	Reference time (fixed to HH format) HH Hour (00 to 23)
p5	Reset/not reset the data when the timer expires (ON/OFF)

p6 Printout ON/OFF (ON, OFF)  
 Query XQ[ p1 ]?  
 Example Set an absolute timer to timer number 1. Set the interval to 30 minutes, the reference time to hour 7, reset the data when the timer expires, and disable printout.  
 XQ 1, ABSOLUTE, 30min, 07, ON, OFF  
 Description Each time the interval specified by p3 elapses from the time specified by p4, the operations set with p5 and p6 are performed.

**When using the relative timer**

Syntax XQ p1, p2, p3, p4, p5<terminator>  
 p1 Timer number (1 or 2)  
 p2 Timer type (RELATIVE)  
 p3 Interval (fixed to HH:MM format)  
 HH Hour (00 to 24)  
 MM Minute (00 to 59)  
 Set the interval in the range 00:01 to 24:00  
 p4 Reset/not reset the data when the timer expires (ON/OFF)  
 p5 Printout ON/OFF (ON, OFF)  
 Query XQ[ p1 ]?  
 Example Set a relative timer to timer number 1. Set the interval to 1 hour 15 minutes, reset the data when the timer expires, and disable printout.  
 XQ 1, RELATIVE, 01:15, ON, OFF  
 Description Each time the interval specified by p3 elapses from the time the computation is started, the operations set with p4 and p5 are performed.

**UN Changes the assignment of channels to the recording pen (pen model, /M1 option).**

Syntax UN p1, p2<terminator>  
 p1 Pen number (1 to 4)  
 p2 Channel number  
 Query UN[ p1 ]?  
 Example Assign computation channel 0A to pen number 4.  
 UN 4, 0A

**US Sets the computation error procedure (/M1 option).**

Syntax US p1, p2<terminator>  
 p1 Procedure taken when an error occurs.  
 +OVER Handle error data as +OVER  
 -OVER Handle error data as -OVER  
 p2 Procedure taken when the "input over" is detected (procedure taken when an "input over" value is applied to TLOG.SUM or TLOG.AVE computation)  
 SKIP Do not use the data for computation.  
 LIMIT Use the limit value given by the recorder for computation.  
 Query US?

Example When the computed result is in error, handle the error data as +OVER. Use the limit value given by the recorder for computation instead of the "input over" value.  
 US +OVER, LIMIT

**YB Sets the host name and domain name (/C7 option).**

Syntax YB p1, p2<terminator>  
 p1 Host name (up to 64 characters)  
 p2 Domain name (up to 64 characters)  
 Query YB?  
 Example Set the host name to "ABC" and the domain name to "recorder.co.jp."  
 YB ABC, recorder.co.jp  
 Description The settings specified by this command and saved using the XE command take effect after the recorder is power cycled.

**YA Sets the IP address (/C7 option).**

Syntax YA p1, p2, p3<terminator>  
 p1 IP address (0.0.0.0 to 255.255.255.255)  
 p2 Subnet mask (0.0.0.0 to 255.255.255.255)  
 p3 Default gateway (0.0.0.0 to 255.255.255.255)  
 Query YA?  
 Example Set the IP address to 192.168.111.24, the subnet mask to 255.255.255.0, and the default gateway to 0.0.0.0.  
 YA 192.168.111.24, 255.255.255.0, 0.0.0.0  
 Description The settings specified by this command and saved using the XE command take effect after the recorder is power cycled.

**YN Sets the DNS (/C7 option).****When not using the DNS**

Syntax YN p1<terminator>  
 p1 Use/Not use the DNS (OFF)  
 Query YN?  
 Example Do not use the DNS.  
 YN OFF

**When using the DNS**

Syntax YN p1, p2, p3, p4, p5<terminator>  
 p1 Use/Not use the DNS (ON)  
 p2 Address of the primary DNS server (0.0.0.0 to 255.255.255.255)  
 p3 Address of the secondary DNS server (0.0.0.0 to 255.255.255.255)  
 p4 Domain suffix 1 (up to 64 characters)  
 p5 Domain suffix 2 (up to 64 characters)  
 Query YN?  
 Example Use the DNS server at 192.168.0.1.  
 YN ON, 192.168.0.1

## 4.5 Basic Setting Commands

Description The settings specified by this command and saved using the XE command take effect after the recorder is power cycled.

### **YD** Sets whether to use the login function via communication (/C7 option).

Syntax YD p1<terminator>  
p1 Use/Not use the login function via communication (USE, NOT)

Query YD?

Example Use the login function via communication.  
YD USE

Description The settings specified by this command and saved using the XE command take effect after the recorder is power cycled.

### **YQ** Sets the communication timeout (/C7 option).

#### When not using the timeout

Syntax YQ p1<terminator>  
p1 Enable/Disable communication timeout (OFF)

Query YQ?

Example Disable timeout.  
YQ OFF

#### When using the timeout

Syntax YQ p1, p2<terminator>  
p1 Enable/Disable communication timeout (ON)  
p2 Timeout time (1 to 120) [minutes]

Query YQ?

Example Enable communication timeout and set the timeout period to 3 min.  
YQ ON, 3

Description The settings specified by this command and saved using the XE command take effect after the recorder is power cycled.

### **YK** Sets keepalive (/C7 option).

Syntax YK p1<terminator>  
p1 Enable/Disable keepalive (ON, OFF)

Query YK?

Example Disable keepalive.  
YK OFF

Description The settings specified by this command and saved using the XE command take effect after the recorder is power cycled.

### **UQ** Sets the calibration correction mode and the number of calibration set points (/CC1 option).

Syntax UQ p1, p2, p3<terminator>  
p1 Channel number  
p2 Setting mode  
ReviseValue Specify deviation.  
Abs.Value Specify absolute value.

p3 Number of calibration set points (2 to 16)  
Query UQ[ p1 ]?  
Example Set the setting mode to Abs.Value and the number of calibration set points to 2 on channel 01.  
UQ 01, ABS.VALUE, 2

Description • This setting is valid when the calibration correction function is enabled (see the UF command).  
• Use the VL command to set the correction points and correction values.

### **UA** Sets the record position.

#### Pen model

Syntax UA p1, p2, p3<terminator>  
p1 Record position selection  
ZERO 0% position  
FULL 100% position  
p2 Pen number (1 to 4)  
p3 Record position adjustment value  
When p1 = ZERO μR10000: An integer between 0 and 70  
μR20000: An integer between 0 and 180  
When p1 = FULL μR10000: An integer between -45 to 15 (reference value: 3026)  
μR20000: An integer between -165 to 165 (reference value: 5447)

Example Adjust the 0% position of pen 1. Set the record position adjustment value to 20.

UA ZERO, 1, 20

Description • Check the recorded result and correct the record position adjustment value.  
• To end the adjustment, execute the UY0 command. If you do not end the adjustment, you cannot change the execution mode.  
• The unit for p3 is 1/30 mm.

#### Dot model

Syntax UA p1, p2<terminator>  
p1 Record position selection  
ZERO 0% position  
FULL 100% position  
Hysteresis  
The difference in the record position according to the operating direction of the printer carriage  
p2 Record position adjustment value  
When p1 = Hysteresis  
An integer between -7 to 7  
When p1 = ZERO  
μR10000: An integer between 0 and 15  
μR20000: An integer between 0 and 50

When p1 = FULL

μR10000: An integer between -30 to 30  
(reference value: 1000)

μR20000: An integer between -50 to 50  
(reference value: 1800)

**Example** Adjust the 100% position. Set the record position adjustment value to 25.

UA FULL,25

- Description**
- Carry out the adjustment in the following order: P1 = Hysteresis, ZERO, and then FULL.
  - Check the recorded result and correct the record position adjustment value.
  - To end the adjustment, execute the UY0 command. If you do not end the adjustment, you cannot change the execution mode.
  - The unit for p2 is dot (0.1 mm).

### **UG** Sets the Setting mode menu selection.

**Syntax** UG p1,p2,p3,p4,p5,p6,p7,p8,p9,p10  
<terminator>

p1 Range (ON, OFF)

p2 Bias (ON, OFF)

p3 Alarm (ON, OFF)

p4 Units (ON, OFF)

p5 Chart speed (ON, OFF)

p6 Other (ON, OFF)

p7 Calibration correction (ON, OFF) (/CC1 option)

p8 Computation (ON, OFF) (/M1 option)

p9 Batch name (ON, OFF) (/BT1 option)

p10 Batch details (ON, OFF) (/BT1 option)

**Query** UG?

**Example** Display all menus.

UG ON,ON,ON,ON,ON,ON,ON,ON,ON,ON

- Description**
- Parameter p7 can be specified on models with the calibration correction (/CC1 option).
  - Parameter p8 can be specified on models with the computation function (/M1 option).
  - Parameters p9 and p10 can be specified on models with the header printout (/BT1 option).

#### **Note**

Parameters p7 and higher are skipped when no options are installed.

### **UH** Sets the FUNC key menu selection.

**Syntax** UH p1,p2,p3,p4,p5<terminator>

p1 Manual printout (ON, OFF)

p2 Setup printout (ON, OFF)

p3 Message printout (ON, OFF)

p4 Buffer clear (ON, OFF)

p5 Periodic printout (ON, OFF)

**Query** UH?

**Example** Display all menus.

UH ON,ON,ON,ON,ON

### **UE** Selects enable/disable for Start printout/End printout and message format (/BT1 option).

#### **When using Start printout/End printout**

**Syntax** UE p1,p2,p3,p4<terminator>

p1 Use of Start printout/End printout (USE)

p2 Number of digits for lot number (4, 6, NOT)

p3 Use/Not use Start printout 2/End printout 2 (USE, NOT)

p4 Use/Not use message format (USE, NOT)

**Query** UE?

**Example** Perform Start printout/End printout, set 6 digits for lot number, use Start printout 2/End printout 2 and message format.

UE USE,6,USE,USE

- Description**
- Set the lot number using the VH command.
  - Set the message format using the VM command.

#### **When not using Start printout/End printout**

**Syntax** UE p1,p2<terminator>

p1 Start printout/End printout not used (NOT)

p2 Use/Not use message format (USE, NOT)

**Query** UE?

**Example** Use message format but do not use Start printout/End printout.

UE NOT,USE

**Description** Set the message format using the VM command.

### **YE** Exits from Basic Setting mode.

When the YE command is executed, communication is dropped.

**Syntax** YE p1<terminator>

p1 Apply/Discard the settings

STORE Apply the settings

ABORT Discard the settings

**Example** Apply the basic settings.

YE STORE

**Description** Applies the settings changed with the basic setting commands.

### **XE** Exits from Basic Setting mode.

Communication is not dropped when the XE command is executed.

**Syntax** XE p1<terminator>

p1 Apply/Discard the settings

STORE Apply the settings

ABORT Discard the settings

**Example** Apply the basic settings.

XE STORE

**Description** The settings specified by the following commands and saved using the XE command take effect after the recorder is power cycled. YS, YB, YA, YN, YD, YQ, and YK

## 4.6 Control Commands

### **DS** Switches the execution mode.

Syntax DS p1<terminator>  
 p1 Mode  
 0 Run mode  
 1 Basic Setting mode

Example Switch to Basic Setting mode.  
 DS 1

Description The execution mode cannot be changed to Basic Setting Mode while recording or computation is in progress.

### **PS** Starts/Stops recording.

Syntax PS p1<terminator>  
 p1 Start/Stop recording.  
 0 Start  
 1 Stop

Example Start recording.  
 PS 0

### **UD** Switches the screen/switches the channel.

#### Returning to the data display screen

Returns from the Setting mode screen, the screen that appears when the FUNC key is pressed, or the screen that appears when the DISP MENU key is pressed back to the measurement data display screen.

Syntax UD p1<terminator>  
 p1 Fixed to 0.

Example Return to the data display screen.  
 UD 0

#### Displaying the specified data display screen

Syntax UD p1, p2<terminator>  
 p1 Fixed to 1.  
 p2 Screen number (1 to 15)

Example Display data display screen 2.  
 UD 1, 2

#### Switching the display channel (manual switching)

Syntax UD p1<terminator>  
 p1 Fixed to 2.

Example Switch the display channel.  
 UD 2

Description • An error results if the specified screen is set to SKIP for UD1.  
 • UD2 is valid on screens whose display channel is set to manual switching.

### **AK** Executes alarm acknowledge (Alarm ACK).

Syntax AK p1<terminator>  
 p1 Executes alarm acknowledge (0)

Example Execute alarm acknowledge.  
 AK 0

### **TL** Starts/stops/resets computation (/M1 option).

Syntax TL p1<terminator>  
 p1 Operation type  
 0 Computation start  
 1 Computation stop  
 2 Computation reset

Example Start the computation.  
 TL 0

### **MP** Starts/Stops manual print.

Syntax MP p1<terminator>  
 p1 Operation type  
 0 Manual print start  
 1 Manual print stop

Example Start manual print.  
 MP 0

### **LS** Starts/Stops the list (setting information) printout.

Syntax LS p1<terminator>  
 p1 Operation type  
 0 List print start  
 1 List print stop

Example Start list print.  
 LS 0

Description List print refers to printing of settings of Setting mode.

### **SU** Starts/Stops the setup list (basic setting information) printout.

Syntax SU p1<terminator>  
 p1 Operation type  
 0 Setup list print start  
 1 Setup list print stop

Example Start setup list print.  
 SU 0

Description Setup list print refers to printing of settings of Basic Setting mode.

### **MS** Prints the message.

Syntax MS p1<terminator>  
 p1 Message number (1 to 5)

Example Print the message of message number 3.  
 MS 3

Description The message string is set with the SG command.

### **AC** Clears the alarm printout buffer.

Syntax AC p1<terminator>  
 p1 Clear the alarm printout buffer (0)

Example Clear the alarm printout buffer.  
 AC 0

**MC** Clears the message printout buffer.

Syntax MC p1<terminator>  
 p1 Clear the message printout buffer (0)  
 Example Clear the message printout buffer.  
 MC 0

**VG** Resets the report data of the periodic printout.

Syntax VG p1<terminator>  
 p1 Operation type  
 2 Reset the report data of the periodic printout.  
 Example Reset the report data of the periodic printout.  
 VG 2  
 Description This setting is valid when the recorder is set to print the report data using periodic printout.

**YC** Initializes settings.

Syntax YC p1<terminator>  
 p1 Initialization type  
 0 Initialize the Setting mode and Basic Setting mode settings.  
 1 Initialize the Setting mode settings.  
 Example Initialize the Setting mode and Basic Setting mode settings.  
 YC 0

**UY** Stops the record position adjustment.

Syntax UY p1<terminator>  
 p1 Fixed to 0.  
 Query UY?  
 Example Stop the record position adjustment.  
 UY 0  
 Description Returns the execution status of the record position adjustment in response to a query.  
 0: Stopped, 1: In progress

**4.7 Output Commands****BO** Sets the byte output order.

Syntax BO p1<terminator>  
 p1 Byte order  
 0 Outputs the data MSB first.  
 1 Outputs the data LSB first.

Query BO?  
 Example Output the data MSB first.  
 BO 0

Description This command applies to the byte order of numerical data during BINARY output.

**CS** Sets the checksum (/C3 option).

Syntax CS p1<terminator>  
 p1 Use/Not use the checksum  
 0 Not use  
 1 Use

Query CS?  
 Example Use the checksum.  
 CS 1

Description This command can be used only on the RS-422A/485 communication interface.

**IF** Sets the status filter.

Syntax IF p1<terminator>  
 p1 Status filter value  
 (0.0.0.0 to 255.255.255.255)

Query IF?  
 Example Set the status filter value to 1.0.4.0.  
 IF 1.0.4.0

Description For details, see chapter 6.

**Note****Initialization of BO/CS/IF Command Settings**

- **For serial communications**  
 Settings entered using the BO/CS/IF commands revert to their initial values when the recorder is reset (when the recorder is power cycled, or the user exits the basic setting mode with the YE command).
  - Byte output order, checksum: 0
  - Status filter: 255.255.255.255
 If the recorder is reset, you must restore these settings.
- **For Ethernet communications**  
 Settings entered using the BO/IF commands revert to their initial values when the connection to the recorder is cut. After reconnecting the recorder, you must reenter the settings.



## 4.7 Output Commands

### **CC** Disconnects an Ethernet connection (/C7 option).

Syntax CC p1<terminator>  
p1 Disconnect the connection (0)  
Example Disconnect the connection.  
CC 0

### **FE** Outputs decimal point position, unit information, and setup data.

Syntax FE p1, p2, p3<terminator>  
p1 Output data type  
0 Setup data of Setting mode  
1 Decimal point position and unit information  
2 Setup data of Basic Setting mode  
4 Setting data file  
p2 First output channel number  
p3 Last output channel number

Example Output the setup data of the Setting commands of channel 01 through 04.

FE 0, 01, 04

Description • Be sure to set p2 and p3 so that p3 is greater than or equal to p2.  
• The settings of p2 and p3 are valid when p1 = 0, 1, or 2.  
• The setting data file can be viewed using the configuration software.

### **FD** Outputs the most recent measured/computed data.

Syntax FD p1, p2, p3<terminator>  
p1 Output data type  
0 Output the most recent measured/computed data in ASCII format  
1 Output the most recent measured/computed data in BINARY format  
p2 First output channel number  
p3 Last output channel number

Example Output the most recent measured/computed data from channel 01 to 04 in ASCII format.

FD 0, 01, 04

Description • The most recent measured/computed data indicates the most recent measured/computed data when the recorder receives the FD command.  
• Be sure to set p2 and p3 so that p3 is greater than or equal to p2.

### **FY** Outputs the statistical computation results.

Syntax FY p1, p2, p3<terminator>  
p1 Output data type  
Inst Output the most recent periodic printout data (instantaneous value)

Report Output the statistical calculation data of periodic printout (report data)

Tlog1 Output the data at the most recent timeout of TLOG timer 1

Tlog2 Output the data at the most recent timeout of TLOG timer 2

p2 First output channel number

p3 Last output channel number

Example Outputs the most recent periodic printout data of channel 01 to 04.

FY Inst, 01, 04

Description Tlog1 and Tlog2 are valid on models with the computation function (/M1 option).

### **FF** Outputs the FIFO data.

Syntax FF p1, p2, p3, p4<terminator>

p1 Operation type

GET Output the data starting from the next to the previous read position

RESEND Retransmit the previous output

RESET Set the read position (block) to the most recent acquire position (block)

GETNEW Output the most recent data

p2 First output channel number

p3 Last output channel number

p4 The upper limit of number of blocks that are to be loaded

Pen model

1 to 240

Dot model

1 to 60

If the measured/computed data is less than the specified number of blocks, only the available data is transmitted.

Example Output two blocks of FIFO data from channels 01 to 06.

FF GET, 01, 06, 2

Description • The FIFO buffer is of a circular type which overwrites from the oldest data when it is full.  
• The FR command is used to set the acquiring interval.  
• There are two FIFO data output formats.

#### **Logging output (GET)**

Output the specified number of blocks (p4) of FIFO data starting from the next to the previous read position (block).

Make sure to read the data within the following buffer period to prevent data dropouts.

Pen model

FIFO buffer length 240 blocks

Maximum buffer period 240 intervals

Dot model

FIFO buffer length 60 blocks

Maximum buffer period 60 intervals

**Newest value output (GETNEW)**

Output the specified number of blocks (p4) of FIFO data back starting from the recent acquire position (block).

- Parameters p2, p3, and p4 are valid when p1 is set to GET or GETNEW.
- If p4 is omitted, all the data of all blocks acquired in the FIFO buffer are output.
- Be sure to set p2 and p3 so that p3 is greater than or equal to p2.
- For the output flow of FIFO data, see appendix 4.

**IS Outputs status information.**

Syntax `IS p1<terminator>`  
 p1 Output status information (0)

Example Output status information.  
`IS 0`

Description The output status can be masked using the status filter (IF command).

**FU Outputs user information.**

Syntax `FU p1<terminator>`  
 p1 Output user information (0)

Example Output user information.  
`FU 0`

Description Outputs the information of the user currently connected to the recorder.

## 4.8 RS-422A/485 Dedicated Commands

**ESC O Opens the instrument.**

The ASCII code of ESC is 1BH.

Syntax `ESC O p1<terminator:CR+LF>`  
 p1 Instrument address (01 to 32)

Example Open the instrument at address 01.  
`ESC O 01`

- Description
- Specifies the address of the instrument with which to communicate.
  - Only one instrument can be opened at any given time.
  - When an instrument is opened with the ESC O command, any other instrument that is currently open is automatically closed.
  - When this command is received correctly, the recorder transmits the data "ESC 0 xx" (xx: Instrument's address). For the description of the response, see page 5-5.
  - Use CR+LF for the terminator. LF cannot be used.

**ESC C Closes the instrument.**

The ASCII code of ESC is 1BH.

Syntax `ESC C p1<terminator:CR+LF>`  
 p1 Instrument address (01 to 32)

Example Close the instrument at address 01.  
`ESC C 01`

- Description
- Clears the current connection with the instrument.
  - When this command is received correctly, the recorder transmits the data "ESC C xx" (xx: Instrument's address). For the description of the response, see page 5-5.
  - Use CR+LF for the terminator. LF cannot be used.

## 4.9 Maintenance/Test Commands (Available when using the maintenance/test server function via Ethernet communications)

### **close** Disconnects the connection between other instruments.

**Syntax** close, p1, p2:p3<terminator>  
 p1 Port on the recorder side (0 to 65535)  
 p2 IP address on the PC side (0.0.0.0 to 255.255.255.255)  
 p3 Port on the PC side (0 to 65535)

**Example** close, 34159, 192.168.111.24:1054  
 E0

**Description** This command cannot be used to disconnect a server port. Also, it cannot disconnect the recorder being operated. Use the quit command for this purpose.

### **con** Outputs connection information.

**Syntax** con<terminator>

**Example**  
 con  
 EA  
 04/10/01 12:34:56

Active connections

Proto	Local Address	Foreign Address	State
TCP	192.168.111. 24:34159	192.168.111. 24:1053	ESTABLISHED
TCP	0. 0. 0. 0:34155	0. 0. 0. 0: 0	LISTEN
TCP	0. 0. 0. 0:34159	0. 0. 0. 0: 0	LISTEN
TCP	0. 0. 0. 0:34150	0. 0. 0. 0: 0	LISTEN

EN

TCP  
 Protocol used.  
 Local Address  
 The recorder's socket address.  
 Displays "IP address:port number."  
 Foreign Address  
 The destination socket address.  
 Displays "IP address:port number."  
 State  
 Connection status.  
 ESTABLISHED  
 Connection established.

### **eth** Outputs Ethernet statistical information.

**Syntax** eth<terminator>

**Example**  
 eth  
 EA  
 04/10/01 12:34:56

Ethernet Statistics

Name	In Pkt	In Err	Out Pkt	Out Err	16 Coll
lo0	0	0	0	0	0
mb0	74	0	64	0	0

EN

### **help** Outputs help.

**Syntax** help [,p1]<terminator>  
 p1 Command name (close, con, eth, help, net, quit)

**Example**  
 help  
 EA  
 con - echo connection information  
 eth - echo ethernet information  
 help - echo help  
 net - echo network status  
 quit - close this connection  
 EN

### **net** Outputs network statistical information.

**Syntax** net<terminator>

**Example**  
 net  
 EA  
 04/10/01 12:34:56

Network Status

APP: power on time = 00/00/00 12:34:56  
 APP: applalive = disable  
 APP: genedrops = 0  
 APP: diagdrops = 0  
 APP: ftpsdrops = 0  
 TCP: keepalive = 30 s  
 TCP: connects = 14  
 TCP: closed = 0  
 TCP: timeoutdrop = 0  
 TCP: keepdrops = 0  
 TCP: sndtotal = 53  
 TCP: sndbyte = 0  
 TCP: sndrexitpack = 0  
 TCP: sndrexitbyte = 1  
 TCP: rcvttotal = 0  
 TCP: rcvbyte = 0  
 DLC: 16 collisions = 0  
 EN

TCP: <code>keepalive</code>	Keepalive check cycle.
TCP: <code>connects</code>	Total number of connections established.
TCP: <code>closed</code>	Total number of dropped connections.
TCP: <code>timeoutdrop</code>	Total number of dropped connections due to TCP retransmission timeout. When the transmitted packet (the unit of transmitted data) is not received, the packet is automatically retransmitted at a predetermined time interval. If the packet is not received after 14 retransmissions, timeout occurs and the connection is dropped.
TCP: <code>keepdrops</code>	Total number of dropped connections due to TCP keepalive timeout.
TCP: <code>sndtotal</code>	Total number of transmitted packets.
TCP: <code>sndbyte</code>	Total number of transmitted bytes.
TCP: <code>sndrexitpack</code>	Total number of retransmitted packets.
TCP: <code>sndrexitbyte</code>	Total number of retransmitted bytes.
TCP: <code>rcvtotal</code>	Total number of received packets.
TCP: <code>rcvbyte</code>	Total number of received bytes.
DLC: <code>16 collisions</code>	Number of collision incidents. A collision occurs when two or more instruments on the network attempt to transmit simultaneously. The tendency for collisions to occur increases when the network is congested. 16 collisions would mean 16 consecutive collision incidents.

## **quit** Disconnects the connection of the instrument being operated.

Syntax `quit<terminator>`

## 4.10 Instrument Information Output Commands (Available when using the instrument information server function via Ethernet communications)

The instrument information server function interprets one UDP packet to be one command and returns a single packet (containing the recorder's information) in response to the command.

Port number	34264/udp (see section 2.1)
Transfer data	ASCII
Received buffer length	128
Transmit buffer length	512
Maximum number of parameters	32

In the command packet, parameters corresponding to the desired information are placed one after another.

Parameter	Description
<code>serial</code>	Outputs the serial number.
<code>host</code>	Outputs the host name (the host name specified in section 2.3).
<code>ip</code>	Outputs the IP address (the IP address specified in section 2.3).

Example Query the IP address and host name. (Of the two frames below, the top frame represents the command packet, the bottom frame represents the response packet.)

```
ip host
```

```
EA
ip = 192.168.111.24
host = ABC
EN
```

- Description
- Separate each parameter with one or more blanks (space, tab, carriage return, line feed).
  - Parameters are not case sensitive.
  - Undefined parameters are ignored.
  - Parameters beyond the 32nd parameter are ignored.

## 5.1 Response Syntax

The following table shows the types of responses for various commands described in the previous chapter.

The recorder returns a response (affirmative/negative response) to a command that is separated by a single terminator. The controller should follow the one command to one response format.

Function	Command		Response	
		Command Type	Affirmation	Negation
Setting/Measurement server	Setting command		Affirmative response	Single negative response or Multiple negative responses
	Basic setting command			
	Control command			
	Output command	Setup, measurement, and computation data	ASCII output	Dedicated response
RS-422A/485 dedicated		BINARY output		
Maintenance/Test Server	See section 4.9.			
Instrument Information server	See section 4.10.			

### Note

The "CRLF" used in this section denotes a terminator.

### Affirmative Response

When the command is processed correctly, an affirmative response is returned.

- **Syntax**

E0CRLF

- **Example**

E0

### Single Negative Response

When the command is not processed correctly, a single negative response is returned.

- **Syntax**

E1\_nnn\_mmm...mCRLF

nnn Error number (001 to 999)

mmm...m Message (variable length, one line)

– Space

- **Example**

E1 001 "System error"

### Multiple Negative Responses

- If there is an error in any one of the multiple commands that are separated by sub delimiters, multiple negative responses are returned.
- The response is generated for each erroneous command.
- If there are multiple commands that have errors, the negative responses are separated by commas.
- The error position number is assigned to the series of commands in order starting with "1" assigned to the first command.

- **Syntax**

E2\_ee:nnnCRLF (When there is only one error)

E2\_ee:nnn,ee:nnn,...,ee:nnnCRLF (When there are multiple errors)

ee Error position (01 to 10)

nnn Error number (001 to 999)

– Space

## 5.1 Response Syntax

- **Example**

E2 02:001

### ASCII Output

The following types of ASCII data are available. For the data formats, see section 5.2.

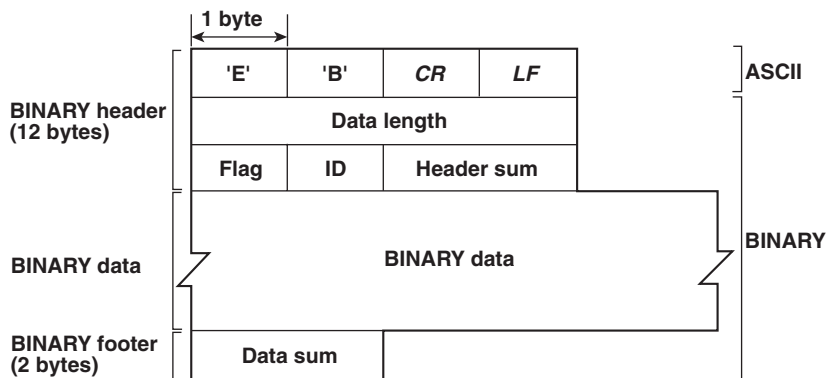
Setting data, basic setting data, decimal position/unit information, measured/computed data, report data generated by the periodic printout, status information, and user information

- **Syntax**

```
EACRLF
.....CRLF
:
.....CRLF
.....CRLF
ENCRLF
```

### BINARY Output

- **Conceptual Diagram**



- **EBCRLF**

Indicates that the data is BINARY.

- **Data Length**

The byte value of “flag + identifier + header sum + BINARY data + data sum.”

- **Header Sum**

The sum value of “data length + flag + identifier.”

- **BINARY Data**

For the output format of various data types, see section 5.3.

- **Data Sum**

The sum value of “BINARY data.”

#### **Note**

The data length of the BINARY header section is output according to the byte order specified with the BO command.

- **Flag**

Bit	Name (Abbreviation)	Flag 0	Flag 1	Meaning of the Flag
7	BO	MSB	LSB	Output byte order
6	CS	No	Yes	Existence of a checksum
5	–	–	–	
4	–	–	–	
3	–	–	–	
2	–	–	–	
1	–	–	–	
0	Reserved	–	–	Fixed to 1.

- When the BO flag is “0,” the MSB is output first. When the BO flag is “1,” the LSB is output first.
- If the check sum is enabled (parameter = 1) using the CS command parameter, each sum value is inserted in the header sum and data sum sections in the “Conceptual Diagram” on the previous page. If the check sum is disabled (parameter = 0), a zero is inserted in the header sum and data sum sections. For a sample program that calculates the sum value, see “Calculating the Sum Value” on the next page.
- The bits that have “–” for the flag and flag are not used. The value is undefined.

- **Identifier**

ID Number	Binary Data Type	Format
0	Undefined file	–
1	Measured/computed data	Section 5.3
1	FIFO data	Section 5.3
10	Setup data file	Undisclosed

- The table above shows the different types of BINARY Data.
- Measured/computed data can be output using the FD command.
- FIFO data can be output using the FF command.
- The setup data file can be output using the FE command. The setup data file can be loaded in the configuration software.
- The identifier section in the “Conceptual diagram” on the previous page contains the ID number shown above.

**Note**

BINARY data that are not indicated in the above table are considered undefined files.

- **Calculating the Sum Value**

If you set the parameter of the CS command to “1 (enabled),” the checksum value is output only during serial communications. The check sum is the same as that used in the TCP/IP and is derived according to the following algorithm.

**Buffer on Which the Sum Value Is Calculated**

- For the header sum, it is calculated from “data length + flag + identifier” (fixed to 6 bytes).
- For the data sum, it is calculated from “BINARY data.”



## 5.1 Response Syntax

---

If the data length of the buffer is odd, a “0” is padded so that it is even. (1) through (6) are summed as unsigned two-byte integers (unsigned short). If the digit overflows a “1” is added. Finally, the result is bit-wise inverted.

### Sample Program

The sum value is determined using the following sample program, and the calculated result is returned. The sum determined by the sample program can be compared with the header sum of the output BINARY header section and the data sum of the output BINARY footer section.

```
/*
 * Sum Calculation Function (for a 32-bit CPU)
 *
 * Parameters buff: Pointer to the top of the data on which the sum is calculated
 *             len: Length of the data on which the sum is calculated
 * Return value: Calculated sum
 */

intcksum(unsigned char *buff, int len)
{
    unsigned short *p;    /* Pointer to the next two-byte data word in the buffer
                           that is to be summed. */
    unsigned int    csum; /* Checksum value */
    int    i;
    int    odd;
    csum = 0;             /* Initialize. */
    odd = len%2;         /* Check whether or not the number of data points is
                           even. */
    len >>= 1;           /* Determine the number of data points using a
                           “short” data type. */
    p = (unsigned short *)buff;

    for(i=0;i<len;i++) /* Sum using an unsigned short data type. */
        csum += *p++;

    if(odd){            /* When the data length is odd */
        union tmp{      /* Pad with a 0, and add to the unsigned short data.
                           */
            unsigned short s;
            unsigned char  c[2];
        }tmp;
        tmp.c[1] = 0;
        tmp.c[0] = *((unsigned char *)p);
        csum += tmp.s;
    }

    if((csum = (csum & 0xffff) + ((csum>>16) & 0xffff)) > 0xffff)
        /* Add the overflowed digits */
        csum = csum - 0xffff; /* If the digit overflows again, add a 1. */

    return((~csum) & 0xffff); /* bit inversion */
}
```



## RS-422A/485 Dedicated Commands and Responses

The following table shows dedicated commands for the RS-422A/485 interface and their responses.

Command Syntax	Meaning	Response
ESC O_xx CRLF  (_ space)	Open the instrument.	<ul style="list-style-type: none"> <li>Response from the instrument with the specified address ESC O xx CRLF</li> <li>Response when the instrument with the specified address does not exist*</li> </ul>
ESC C_xx CRLF  (_ space)	Close the instrument.	<ul style="list-style-type: none"> <li>Response from the instrument with the specified address ESC C xx CRLF</li> <li>Response when the instrument with the specified address does not exist*</li> </ul>

- \* The causes that the condition become “The instrument with the specified address does not exist” is such as a command error, the address not matching that of the instrument, the instrument is not turned ON, and the instrument not being connected via the serial interface.
- The “xx” in the table indicates the instrument’s address. Specify the address that is assigned to the instrument from 01 to 32.
  - Only one instrument can be opened at any one time.
  - When an instrument is opened with the ESC O command, all commands on the instrument become active.
  - When an instrument is opened with the ESC O command, any other instrument that is open is automatically closed.
  - Use CR+LF for the terminator. LF cannot be used.

### Note

The ASCII code of ESC is 1BH.

## 5.2 Output Format of ASCII Data

The following types of ASCII data are available.

- Setting data/Basic Setting data
- Decimal point position/unit information
- Measured/computed data
- Report data generated by the periodic printout
- Status information
- User information

### **Note**

The "CRLF" used in this section denotes a terminator.

### **Setting/Basic Setting data**

- The FE command (FE0 or FE2) is used to output the data.
- The setting/basic setting data are output in the order of the listed commands in the table in section 4.2, "A List of Commands." However, the setting information for the following commands is not output.
  - Setting commands  
SD, CM, and FR
  - Basic Setting commands  
YE and XE
- The output format of the setting/basic setting data is the same as the syntax of each command.
- Some commands are output in multiple lines. (Example: Commands that are specified for each channel.)

- **Syntax**

The two-character command name and the succeeding parameters are output in the following syntax.

```
EACRLF
ttsss...sCRLF
.....
ENCRLF
```

tt            Command name (SR, SA..., XA, XI...)  
sss...s      Setting, basic setting data (variable length, one line)

- **Example**

```
EA
SR01,VOLT,20mV,0,20
SR02,VOLT,20mV,0,20
.....
EN
```

### Decimal Point Position/Unit Information

- The FE command (FE1) is used to output the data.

- Syntax**

The data is output for each channel in the following syntax.

EACRLF

s\_kccuuuuuu,ppCRLF

.....

ENCRLF

s	Data status (N, D, S) N: Normal D: Differential input S: Skip (When the input range is set to SKIP for a measurement channel or when the channel is turned OFF for a computation channel)
k	Channel type 0: Measurement channel A: Computation channel
cc	Channel number $\mu$ R10000: 01 to 06, 0A to 0P $\mu$ R20000: 01 to 24, 0A to 1P
uuuuuu	Unit information (6 characters, left-justified) mV____: mV V____: V ^C____: °C xxxxxx: (User-defined character string)
pp	Decimal point position (00 to 04) No decimal (00000) for 00. One digit to the right of the decimal (0000.0) for 01. Two digits to the right of the decimal (000.00) for 02. Three digits to the right of the decimal (00.000) for 03. Four digits to the right of the decimal (0.0000) for 04.
_	Space

- Example**

EA

N 001mV ,01

N 002mV ,01

EN

**Measured/computed Data**

- The FD (FD0) or FY (FYInst, FYTlog1, or FYTlog2) command is used to output the data.

- **Syntax**

The measured/computed data are output in the following syntax along with the date and time information for each channel

```
EACRLF
DATE_YY/mo/ddCRLF
TIME_hh:mi:ss.mmmt_S1S2S3S4S5S6CRLF
s_kcca1a2a3a4uuuuuf1dddddEf2ppCRLF
.....
ENCRLF
```

yy	Year (00 to 99)
mo	Month (01 to 12)
dd	Day (01 to 31)
hh	Hour (00 to 23)
mi	Minute (00 to 59)
ss	Second (00 to 59)
mmm	Millisecond (000 to 999. A period is placed between seconds and milliseconds.)
t	'S'(=summer) or ' ' space(=winter)
S1S2S3S4S5S6	Data status Takes on the values below for the FYTlog1 and FYTlog2 commands. For all other cases, they are all spaces.
S1	Time change during TLOG computation: T (occurred) or space (not occurred)
S2	Power OFF and ON during TLOG computation: P (occurred) or space (not occurred)
S3	Data reset during the TLOG computation: R (occurred) or space (not occurred)
S4S5S6	All spaces
s	Channel data status (N, D, S, O, B, E) N: Normal D: Differential input S: Skip O: Over B: Burnout E: Error
k	Channel type 0: Measurement channel A: Computation channel
cc	Channel number μR10000: 01 to 06, 0A to 0P μR20000: 01 to 24, 0A to 1P
a1a2a3a4	a1 Alarm status (level 1) a2 Alarm status (level 2) a3 Alarm status (level 3) a4 Alarm status (level 4)

Each status is set to H, L, h, l, R, r, T, t, or space.

H: high limit alarm, L: low limit alarm, h: difference high-limit alarm, l: difference low-limit alarm, R: high limit on rate-of-change alarm, r: low limit on rate-of-change alarm, T: delay high limit alarm, t: delay low limit alarm, space: no alarm

uuuuuu	Unit information (6 characters, left-justified) mV____: mV v____: V ^c____: °C xxxxxx: (User-defined character string)
f <sub>1</sub>	Sign (+, -) of mantissa <ul style="list-style-type: none"> <li>• Positive over data, error data, and the burnout data when “up” is specified are positive.</li> <li>• Negative over data and the burnout data when “down” is specified are negative.</li> </ul>
dddd	Mantissa (0000 to 99999, 5 digits) <ul style="list-style-type: none"> <li>• 8 digits for computed data.</li> <li>• For error data (channel data status is E), over data (channel data status is O), or burnout data (channel status data is B), the mantissa is set to 99999 (99999999 for computed data).</li> </ul>
f <sub>2</sub>	Sign (+, -) of exponent
pp	Exponent (00 to 04)
—	Space

• **Example**

```
EA
DATE 99/02/23
TIME 19:56:32.500
N 001h mV +12345E-03
N 002 mV -12345E-01
S 003
EN
```

**Note**

- Data for non-existing channels are not output (not even the channel number).
- For channels set to skip, output values from alarm status to exponent are spaces.

**Report Data Generated by the Periodic Printout**

- The FY command (FYREPORT) is used to output the data.
- Report data generated by the periodic printout is output.

**Syntax**

```
EACRLF
YY/MO/DD_HH:MI:SS.MMMTCRLF
yy/mo/dd_hh:mi:ss.mmmt_S1S2S3S4S5S6CRLF
s1s2s3s4s5s6kccuuuuuf1ddddEf2pp_f1ddddEf2pp_f1ddddEf2pp_f1dddd
Ef2pp_f1ddddddEf2ppCRLF
.....
ENCRLF
```

YY/MO/DD HH:MI:SS.MMMT	Report start time information
yy/mo/dd hh:mi:ss.mmmt	Report end time information
YY, yy	Year (00 to 99)
MO, mo	Month (01 to 12)
DD, dd	Day (01 to 31)
HH, hh	Hour (00 to 23)
MI, mi	Minute (00 to 59)
SS, ss	Second (00 to 59)
MMM, mmm	Millisecond (000 to 999)
T, t	'S'(=summer) or ' ' space(=winter)
S1S2S3S4S5S6	Data status
S1	Time change during reporting: T (occurred) or space (not occurred)
S2	Power OFF and ON during reporting: P (occurred) or space (not occurred)
S3	Data clear during reporting: R (occurred) or space (not occurred)
S4S5S6	All spaces
s1s2s3s4s5s6	Channel data status
s1	Channel mode at the end of reporting: S (Skipped) or space (Mode other than skipped)
s2	Range change during reporting: C (occurred) or space (not occurred)
s3	Error data occurrence during reporting: E (yes) or space (no)
s4	±over data occurrence during reporting: O (yes) or space (no)
s5s6	All spaces
cc	Channel number μR10000: 01 to 06, 0A to 0P μR20000: 01 to 24, 0A to 1P
k	Channel type (0, A) 0: Measurement channel A: Computation channel
uuuuuu	Unit information (6 characters)

f<sub>1</sub>dddddf<sub>2</sub>pp\_f<sub>1</sub>ddddEf<sub>2</sub>pp\_f<sub>1</sub>ddddEf<sub>2</sub>pp\_f<sub>1</sub>ddddEf<sub>2</sub>pp\_f<sub>1</sub>dddddd  
Ef<sub>2</sub>pp

The data is output in the following order: most recent value, minimum value, maximum value, average value, and sum value.

f<sub>1</sub>ddddEf<sub>2</sub>pp Most recent value, minimum value, maximum value, and average value of the measurement channel

f<sub>1</sub>dddddddEf<sub>2</sub>pp Sum value of the measurement channel or the most recent value, minimum value, maximum value, average value, and sum value of the computation channel

f<sub>1</sub> Sign (+, -) of mantissa

dddd Mantissa (0000 to 9999)

ddddddd Mantissa (0000000 to 9999999)

f<sub>2</sub> Sign (+, -) of exponent

pp Exponent (00 to 04)

- **Example**

```
EA
04/08/04 10:22:20.500S
04/08/04 19:56:32.500S TP
      001mV  +12345E-03 +12345E-03 +12345E-03 +12345E-03 +12345678E-03
C      002mV  -12345E-01 -12345E-01 -12345E-01 -12345E-01 -12345678E-01
S      003
S      004
      A0A      +12345678E-03 +12345678E-03 +12345678E-03 +12345678E-03
+12345678E-03
      A0B      -12345678E-01 -12345678E-01 -12345678E-01 -12345678E-01 -
12345678E-01
S      A0C
S      A0D
EN
```

### Status Information

- The IS command is used to output the data.
- The operation status of the recorder is output
- For details on the status information, see section 6.2, “The Bit Structure of the Status Information.”

- **Syntax**

```
EACRLF
ddd.ccc.bbb.aaaCRLF
ENCRLF
```

aaa	Status information 1 (000 to 255)
bbb	Status information 2 (000 to 255)
ccc	Status information 3 (000 to 255)
ddd	Status information 4 (000 to 255)

- **Example**

```
EA
000.000.032.000
EN
```

### User Information

- The FU command is used to output the data.
- User name, user level, and other information are output.

- **Syntax**

```
EACRLF
p_l_uuu...uCRLF
ENCRLF
```

p	Physical layer E: Ethernet S: RS-422A/485
l	User level A: Administrator U: User
uuu...u	User name (up to 16 characters)
—	Space

- **Example**

```
EA
E A admin
EN
```



## 5.3 Output Format of BINARY Data

This section describes the output format of the BINARY data that is disclosed. For the BINARY output format, see “BINARY Output” on page 5-2. For other BINARY data types, see “Identifier” on page 5-3.

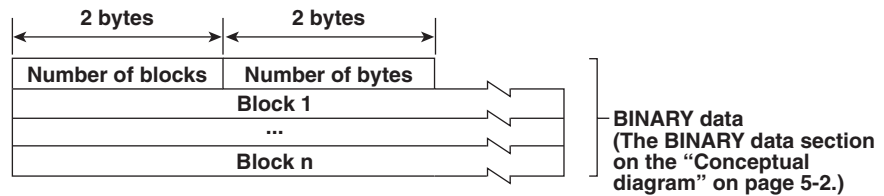
The measured data is output using signed 16-bit integer; the computed data is output using signed 32-bit integer. These integers can be understood as physical values by adding the decimal point and the unit.

### Typical Examples to Obtain Physical Values

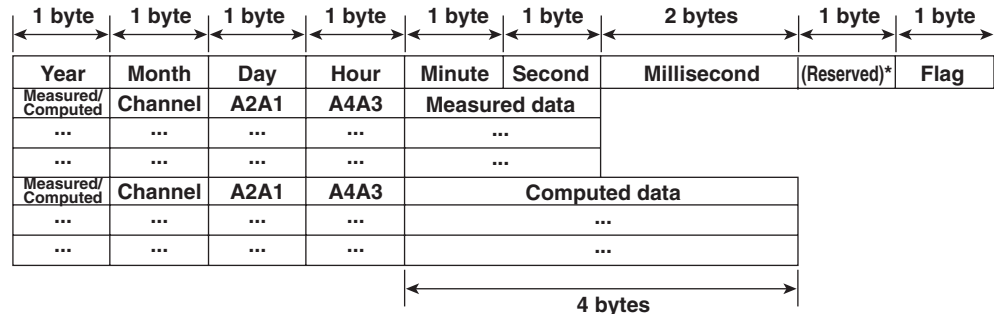
BINARY Value	Decimal Position Code	Physical Value (Measured Value)
10000	0	10000
10000	1	1000.0
10000	2	100.00
10000	3	10.000
10000	4	1.0000

### Measured/Computed Data and FIFO Data

- The FD (FD1) command is used to output the most recent measured/computed data.
- The FF (FEGET, FERESEND, and FEGETNEW) command is used to output the FIFO data. The decimal point position and unit can be determined using the FE command.
- The ID number of the output format is 1. See “Identifier” on page 5-3.



- **Number of Blocks**  
This is the number of blocks.
- **Number of Bytes**  
This is the size of one block in bytes.
- **Block**



\* The sections indicated as (Reserved) are not used. The value is undefined.

### 5.3 Output Format of BINARY Data

- **Flag**

The meanings of the flags are given on the table below. The flags are valid during FIFO data output. The flags are undefined for other cases.

Bit	Flag		Meaning of the Flag
	0	1	
6	–	–	
5	–	–	
4	–	–	
3	–	–	
2	No	Yes	Indicates that the decimal position or unit information was changed during measurement.
1	No	Yes	Indicates that the FIFO acquiring interval was changed during measurement.
0	No	Yes	Indicates that the internal process took too much time (computation, for example) and that FIFO dropout occurred.

The bits that have “–” for the flag column are not used. The value is undefined.

- **Block Member**

Name	BINARY Value
Year	0 to 99
Month	1 to 12
Day	1 to 31
Hour	0 to 23
Minute	0 to 59
Second	0 to 59
Millisecond	0 to 999
DST	1 (=summer) or 0 (=winter)
Measurement, computation Channel	00H: measurement, 80H: computation μR10000: 01 to 06 and 31 to 42 μR20000: 01 to 24, 31 to 54
Alarm status*	
A1 (Bit 0 to 3)	0 to 8
A2 (Bit 4 to 7)	
A3 (Bit 0 to 3)	
A4 (Bit 4 to 7)	
Measured data	0 to FFFFH
Computed data	0 to FFFFFFFFH



\* BINARY value 0 to 8 is entered in the upper and lower 4 bits of a byte (8 bits) for the alarm status. The binary values 0 to 8 correspond to H (high limit alarm), L (low limit alarm), h (difference high-limit alarm), l (difference low-limit alarm), R (high limit on rate-of-change alarm), r (low limit on rate-of-change alarm), T (delay high limit alarm), and t (delay low limit alarm) as follows:  
0: no alarm, 1: H, 2: L, 3: h, 4: l, 5: R, 6: r, 7: T, and 8: t.

- **Special Data Value**

The measured/computed data take on the following values under special conditions.

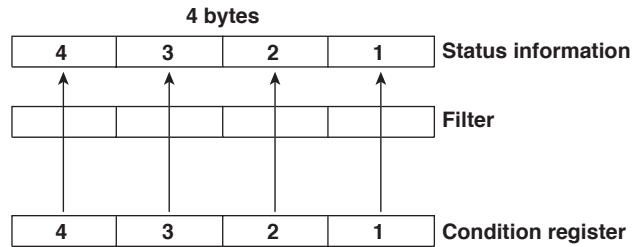
Special Data Value	Measured Data	Computed Data
+ Over	7FFFH	7FFF7FFFH
– Over	8001H	80018001H
Skip	8002H	80028002H
Burnout (when “up” is set)	7FFAH	7FFF7FFFH
Burnout (when “down” is set)	8006H	80018001H
Error	8004H	80048004H
Undefined	8005H	80058005H

**Note**

The number of blocks, number of bytes, and measured/computed data are output according to the byte order specified with the BO command.

## 6.1 Status Information and Filter

The following figure illustrates the status information and filter on the recorder.



- When a status indicated on the following page is entered, the corresponding bit in the condition register is set to "1." The logical AND of the condition register and the filter becomes the status information.
- The IF command can be used to set the filter.
- The IS command is used to output the status information. Status information 1 and 2 are cleared when they are output. Status information 3 and 4 are not cleared when it is output, and remains at "1" while the event is occurring.
- When multiple connections are up, filters can be specified for the individual connection. Therefore, the status information can be held for each connection.

## 6.2 The Bit Structure of the Status Information

The following four groups of status information are output in response to a status information output request using the IS command. For the output format, see “Status Information” in section 5.2, “Output Format of ASCII Data.”

### Status Information 1

Bit	Name	Description
0	A/D conversion complete	Set to “1” when the A/D conversion of the measurement is complete.
1	–	–
2	Periodic printout timeout	Set to “1” when the periodic printout timer expires.
3	TLOG timeout	Set to “1” when the TLOG timer expires.
4	–	–
5	–	–
6	–	–
7	–	–

### Status Information 2

Bit	Name	Description
0	Measurement drop	Set to “1” when the measurement process could not keep up.
1	Decimal point/unit information change	Set to “1” when the decimal point/unit information is changed.
2	Command error	Set to “1” when there is a command syntax error.
3	Execution error	Set to “1” when an error occurs during command execution.
4	–	–
5	–	–
6	–	–
7	–	–

### Status Information 3

Bit	Name	Description
0	–	–
1	Chart end	Set to “1” while the recorder is out of chart paper.
2	–	–
3	–	–
4	–	–
5	Chart feeding	Set to “1” while the chart is being fed through the panel key.
6	–	–
7	–	–

### Status Information 4

Bit	Name	Description
0	Basic setting	Set to “1” during Basic Setting mode.
1	Recording	Set to “1” while recording is in progress.
2	Computing	Set to “1” while computation is in progress.
3	Alarm generating	Set to “1” while the alarm is occurring.
4	–	–
5	–	–
6	Header printing out	Set to “1” only between start of Start printout and end of End printout.
7	–	–

# Appendix 1 ASCII Character Codes

The table below shows characters each command can use.

Command	Used for	Characters
SN	Unit	Alphanumeric characters, signs, and space
ST	Tag	Alphanumeric characters, signs, and space
SG	Message	Alphanumeric characters, signs, and space
YB	Host/Domain name	Alphanumeric characters and signs
YN	Domain suffix	Alphanumeric characters and signs
SO	Computing equation	Alphanumeric characters, signs, and space

The table below contains the ASCII character codes of characters that can be used.

## English

### Note

“μ”, “Ω”, “<sup>2</sup>”, “<sup>3</sup>”, and “°” are assigned to character codes as follows:

μ: 7BH (I), Ω: 7CH (I), <sup>2</sup>: 7DH (J), <sup>3</sup>: 7EH (~), °: 5EH (^)

Characters in the parentheses are the characters assigned on the keyboard.

Lower Upper	0	1	2	3	4	5	6	7	8	9	A	B	C	D	E	F
20	SP			#		%			( )	*	+		-	.	/	
30	0	1	2	3	4	5	6	7	8	9						
40	@	A	B	C	D	E	F	G	H	I	J	K	L	M	N	O
50	P	Q	R	S	T	U	V	W	X	Y	Z				°	
60		a	b	c	d	e	f	g	h	i	j	k	l	m	n	o
70	p	q	r	s	t	u	v	w	x	y	z	μ	Ω	<sup>2</sup>	<sup>3</sup>	

## German and French

### Note

“Ω” is assigned to character code as follows:

Ω: 7CH (I)

The character in the parentheses is the character assigned on the keyboard.

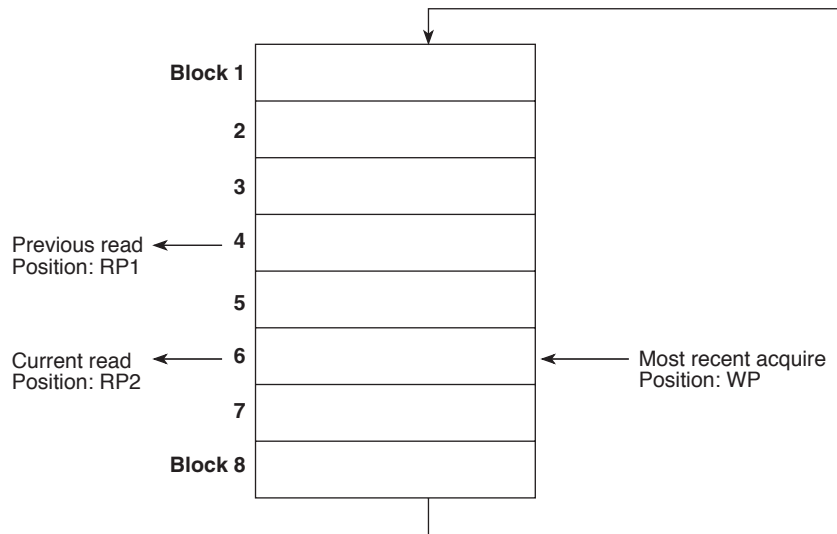
Lower Upper	0	1	2	3	4	5	6	7	8	9	A	B	C	D	E	F
20	SP			#		%			( )	*	+		-	.	/	
30	0	1	2	3	4	5	6	7	8	9						
40	@	A	B	C	D	E	F	G	H	I	J	K	L	M	N	O
50	P	Q	R	S	T	U	V	W	X	Y	Z				\	
60		a	b	c	d	e	f	g	h	i	j	k	l	m	n	o
70	p	q	r	s	t	u	v	w	x	y	z		Ω			
A0																
B0		°		<sup>2</sup>	<sup>3</sup>		μ									
C0					Ä			Ç				Ë				Ï
D0							Ö						Ü			ß
E0	à		â		ä			ç	è	é	ê	ë			î	ï
F0					ô		ö			ù		û	ü			

- Only German
- Only French

## Appendix 2 Output Flow of FIFO Data

The recorder has a dedicated internal memory for outputting measured/computed data. This memory is structured as a FIFO (First-In-First-Out). Measured/computed data are constantly acquired to the internal memory at the specified acquiring interval (FIFO acquiring interval, set with the FR command). By using this function, it is possible to read measured/computed data that have been saved at the specified intervals regardless of the frequency at which the PC periodically reads the measured/computed data.

The following example shows the case when the acquiring interval is 1 s and the buffer capacity is for 8 intervals.



- **Acquiring of the measured/computed data**
  - The measured/computed data are acquired to the internal memory at 1 s intervals.
  - Measured/computed data are acquired to blocks 1 through 8 in order. After acquiring to block 8, the next acquiring operation returns to block 1.
- **Reading the measured/computed data (FF GET command is used, logging output)**

Outputs the data from the next to the previous read position (RP1) to the most recent acquire position (WP).

In this example, more than 2 s has elapsed from the previous read operation. Therefore, data in blocks 5 and 6 are output.
- **Reading the measured/computed data (FF GETNEW command is used, output of the most recent value)**

Output the specified number of blocks of FIFO data back starting from the recent acquire position (WP).

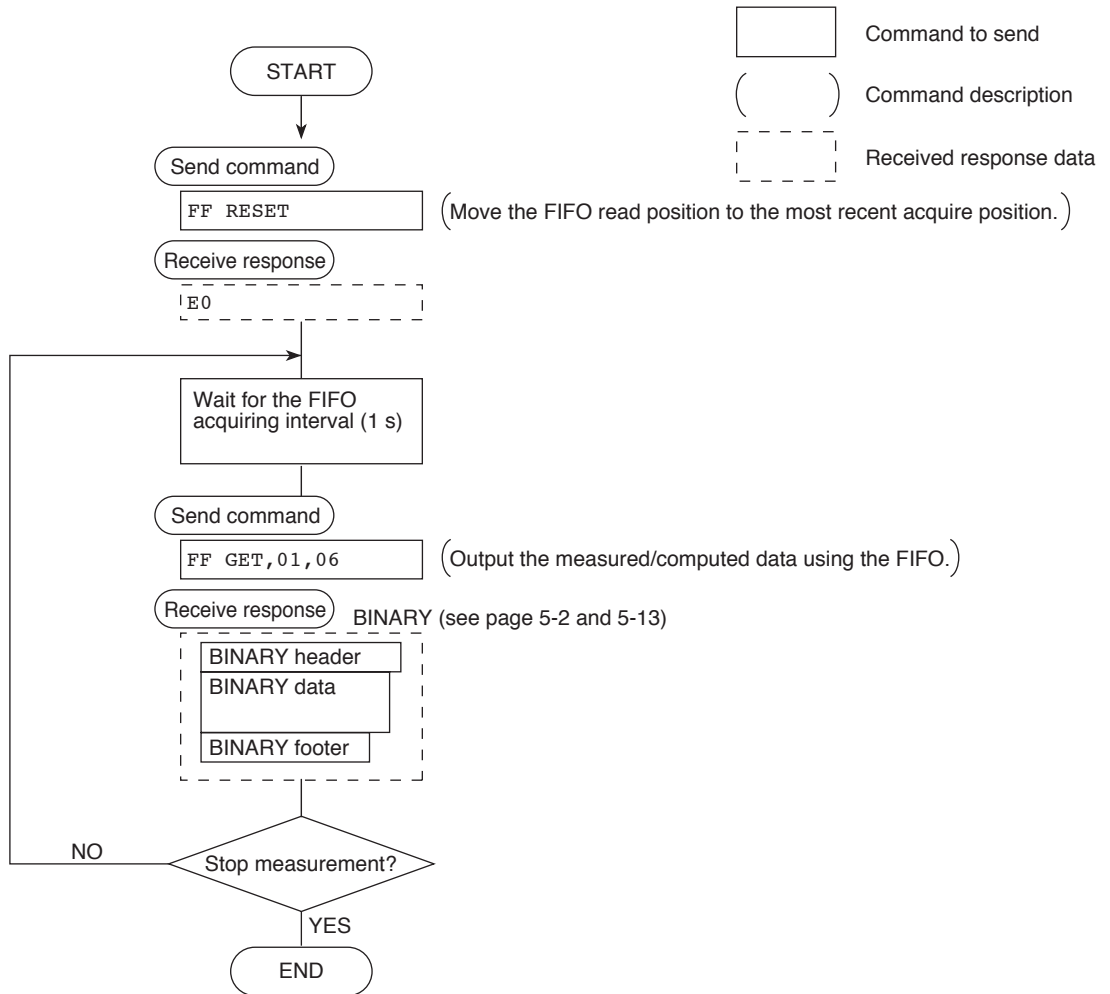
In this example, if you specify the number of blocks to "5," data in blocks 2 to 6 are output.

The buffer capacity varies depending on the model.

Pen model: 240 intervals (30 s at an acquiring interval of 125 ms)

Dot model: 60 intervals (60 s at an acquiring interval of 1 s)

**Example in which the FIFO acquiring interval on the recorder is set to 1 s and the measured data from channel 01 to 06 are continuously output (logging function)**



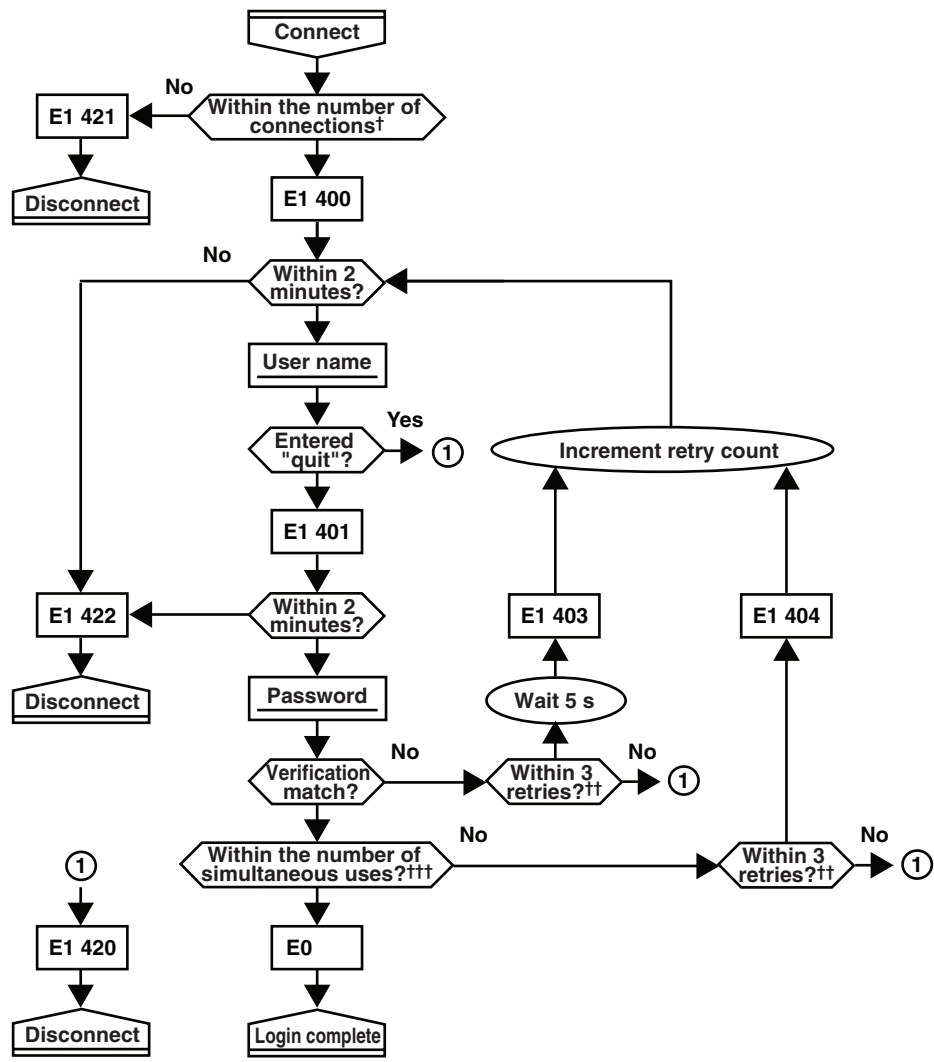
**Note**

- The FIFO acquiring interval must be set using the FR command beforehand.
- The FIFO acquiring interval applies to both serial and Ethernet communications.

## Appendix 3 Login Procedure

When using the Setting/Measurement server or the Maintenance/Test server via the Ethernet interface (/C7 option), you must log into the recorder from the PC. If you complete the procedure successfully up to login complete in the following figure, the commands in chapter 4 become functional.

### When using the login function



Start      Judgment

End      Transition

User entry

**E1 403** Response from the  $\mu$ R (message omitted)  
For a description of the response format, see section 5.1.

Code (for a description of codes and messages, see page App-6)

† Connections cannot exceed the maximum number of connections (see section 2.1).

†† If you attempt to log in using a wrong password four consecutive times, the communication is dropped (the number of retries for login is three).

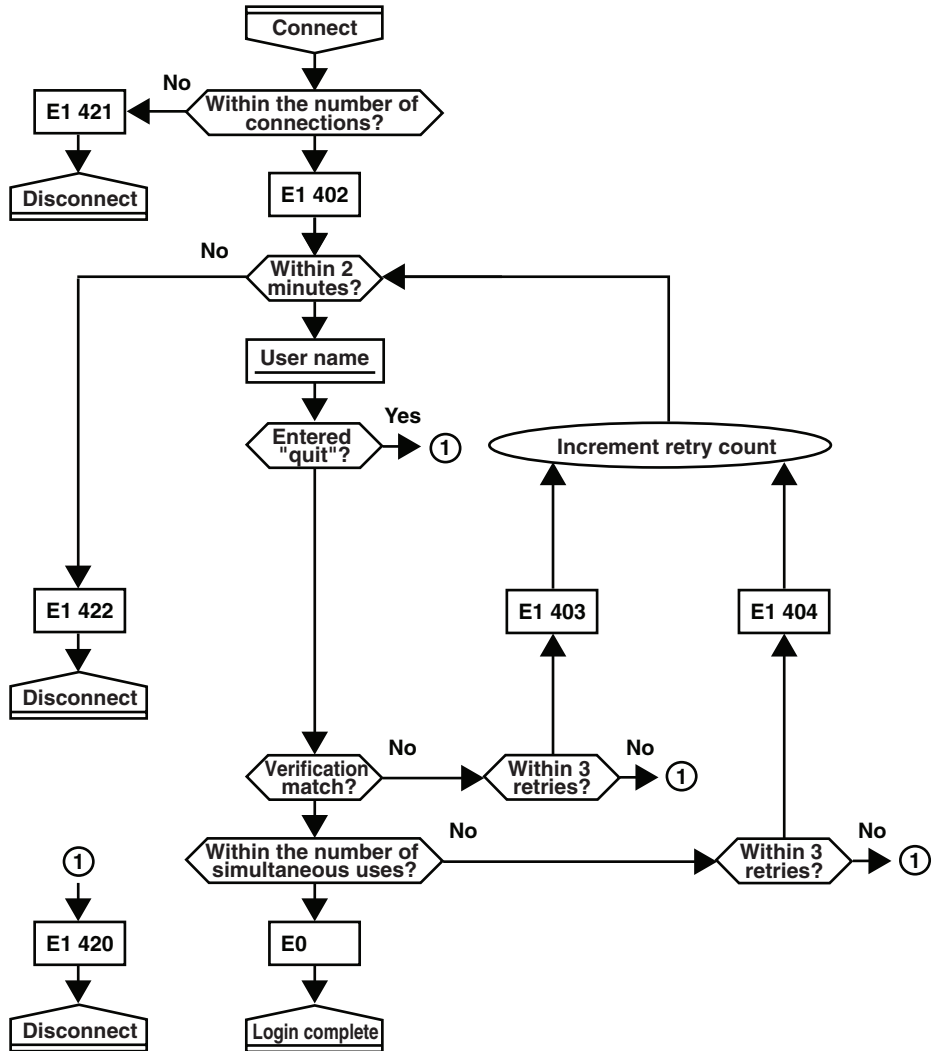
††† If you attempt to log in causing the number of simultaneous uses at the administrator or user level to be exceeded (see section 2.1) four consecutive times, the communication is dropped (even if the password is correct).



**When not using the login function**

Login as "admin" or "user."

- The user name "admin" can be used to login to the recorder as an administrator.
- The user name "user" can be used to access the recorder as a user.



## Appendix 4 A List of Error Messages

There are cases in which error codes and messages are displayed on the screen during operation. The error messages and their description are listed below.

### Setting Errors

Code	Message	Explanation/Countermeasures
1	System error.	Contact your nearest YOKOGAWA dealer.
2	Incorrect date or time setting.	Check the setting.
3	A disabled channel is selected.	The channel does not exist.
4	Incorrect function parameter.	Incorrect communication parameter.
5	The input numerical value exceeds the set range.	–
6	Incorrect input character string.	The entered character cannot be used.
7	Too many characters.	–
8	Incorrect input mode.	Incorrect range mode (Volt, TC, Scale, etc.) setting.
9	Incorrect input range code.	Incorrect range type (2 V, R, PT100, etc.) setting.
10	Format error.	Incorrect character string format.
11	Range settings are not same within the selected channels.	Channels whose range differs cannot be set simultaneously.
12	An invalid characters.	Contains an invalid character.
13	Ref. CH error.	Specify a channel whose range is set to voltage, TC, or RTD for the reference channel.
15	Too many characters for printout.	Too many characters in the message printout including measured/computed values.
16	Too many characters for message.	Cannot enter a setting that exceeds the message string (16 characters).
21	Cannot set an alarm for a SKIPPED channel.	–
22	The upper and lower span limits are equal.	This is not allowed.
23	The upper and lower scale limits are equal.	This is not allowed.
24	The lower span limit is greater than the upper span limit.	–
25	The lower scale limit is greater than the upper scale limit.	–
26	Bias cannot be set to the SKIPPED channel.	–
27	Bias cannot be set to the DI channel.	–
30	The partial boundary value exceeds the range of the span.	–
31	Partial is invalid on the SKIPPED channel.	–
35	The upper and lower limits of the printing zone are equal.	Set the rightmost value of the zone – the leftmost value $\geq$ 5 mm.
36	The lower limit of the printing zone is greater than the upper limit.	Set the rightmost value of the zone – the leftmost value $\geq$ 5 mm.
37	The printing zone is narrower than the minimum width (5 mm).	Set the rightmost value of the zone – the leftmost value $\geq$ 5 mm.
38	Partial is invalid on the DI channel.	–
39	The bias and the calibration cannot be used simultaneously.	–
40	Datume value(1 $\geq$ 2)	Set the measured value of the first point less than that of the second point in the calibration correction.
41	Datume value(n-1 $>$ n)	Set the measured value of the n-1 <sup>th</sup> point less than or equal to that of the n <sup>th</sup> point in the calibration correction.
42	Revise value(n-1 $\geq$ n)	Set the correction value of the n-1 <sup>th</sup> point less than that of the n <sup>th</sup> point in the calibration correction.

Code	Message	Explanation/Countermeasures
47	All items in DISP menu parameters are set to SKIP.	–
48	Start = Finish.	The DST start time and end time cannot be set to the same time.
49	Invalid or missing DST time settings.	Since the time gains one hour when the DST starts, the set-up time does not exist.
61	There is no channel specified by the MATH expression.	Set a computation channel.
62	MATH expression grammar is incorrect.	Enter the equation correctly.
63	MATH expression sequence is incorrect.	Enter the equation correctly.
64	MATH upper and lower span values are equal.	This is not allowed.
70	MATH constant description is incorrect.	Incorrect computation constant syntax.
71	The range of the MATH constant is exceeded.	–
72	MATH channel is turned off	–
81	All space or 'quit' string cannot be specified.	–
86	The key-lock release password is incorrect.	Enter the correct password.
87	This key is locked.	–
91	Password is incorrect.	Enter the correct password.
100	IP address doesn't belong to class A, B, or C.	–
101	The result of the masked IP address is all 0s or 1s.	–
102	SUBNET mask is incorrect.	Set a correct subnet mask.
103	The net part of default gateway is not equal to that of IP address.	Set the correct default gateway.
151	This action is invalid during calculation.	–
160	This action is invalid during chart end.	–
161	This action is invalid during pen hold.	–
162	Cannot set an number for a skipped data.	–
163	This action is invalid during record.	–
164	This action is invalid during manual printing.	–
165	This action is invalid during list printing.	–
166	This action is invalid during setup list printing.	–
167	This action is invalid during chart feed.	–
169	This action is invalid during ribbon hold.	–
170	This action is invalid during priority remote record.	Recording stop via communications or key operation cannot be accepted under the current settings. Perform the Stop using the remote control function.
171	This action is invalid during batch.	Cannot enter Basic Setting mode during header printout (until End printout is finished).

### Operation Errors

Code	Message	Explanation/Countermeasures
232	There is no available data.	There is no data for periodic printout or data for calculating TLOG when the timer expired.

### Communication Errors

The messages from 390 to 422 can only be returned via communication, and are not displayed on the recorder.

Code	Message	Explanation/Countermeasures
300	Command is too long.	–
301	Too many number of commands delimited with ';'.:	Keep the number of commands separated by sub delimiters under 10.
302	This command has not been defined.	–

## Appendix 4 A List of Error Messages

Code	Message	Explanation/Countermeasures
303	Data request command can not be enumerated with sub-delimiter.	–
350	Command is not permitted to the current user level.	–
351	This command cannot be specified in the current mode.	–
352	The option is not installed.	–
353	This command cannot be specified in the current setting.	–
354	This command is not available during calculation.	–
390	Command error.	–
391	Delimiter error.	–
392	Parameter error.	–
393	No permission.	–
394	No such connection.	–
395	Use “quit” to close this connection.	Attempted to disconnect its own connection.
396	Failed to disconnect.	–
397	No TCP control block.	The control block of the specified connection cannot be found.
400	Input username.	–
401	Input password.	–
402	Select username from ‘admin’ or ‘user’.	If the recorder is configured not to use the user name and password, use user names ‘admin’ or ‘user’.
403	Login incorrect, try again!	–
404	No more login at the specified level is acceptable.	–
420	Connection has been lost.	–
421	The number of simultaneous connection has been exceeded.	–
422	Communication has timed-out.	–

## Warning Messages

Code	Message	Explanation/Countermeasures
600	Initialized.	Settings and measured data have been initialized.

## System Errors

Code	Message	Explanation/Countermeasures
902	RAM failure.	Contact your nearest YOKOGAWA dealer.
910	A/D error.	Contact your nearest YOKOGAWA dealer.
921	A/D calibration value error.	Contact your nearest YOKOGAWA dealer.
922	A/D calibration is in the wrong order.	Contact your nearest YOKOGAWA dealer.
930	Memory acquisition failure.	Contact your nearest YOKOGAWA dealer.
940	The ethernet module is down.	Contact your nearest YOKOGAWA dealer.
950	A/D number error.	Contact your nearest YOKOGAWA dealer.
951	EEPROM write error.	Contact your nearest YOKOGAWA dealer.
960	Ribbon error	Contact your nearest YOKOGAWA dealer.
961	Printer error	Contact your nearest YOKOGAWA dealer.
962	Plotter error	Contact your nearest YOKOGAWA dealer.
963	Pen 1 error	Contact your nearest YOKOGAWA dealer.
964	Pen 2 error	Contact your nearest YOKOGAWA dealer.
965	Pen 3 error	Contact your nearest YOKOGAWA dealer.
966	Pen 4 error	Contact your nearest YOKOGAWA dealer.

# Index

## Symbols

1-5V input low-cut ..... 4-23

## A

A/D integral time ..... 4-21  
address ..... 3-15  
administrator ..... 2-9  
affirmative response ..... 5-1  
alarm ..... 4-11, 4-20  
alarm ACK ..... 4-28  
alarm acknowledge ..... 4-28  
alarm delay ..... 4-23  
alarm delay time ..... 4-14  
alarm printout buffer ..... 4-28  
ASCII character codes ..... App-1  
ASCII data ..... 5-6  
ASCII output ..... 5-2  
assignment of channels ..... 4-25

## B

bar graph ..... 4-23  
basic setting commands ..... 4-4  
basic setting mode ..... vi, 4-3  
batch comment ..... 4-18  
batch number ..... 4-18  
baud rate ..... 3-15  
bias ..... 4-11, 4-23  
BINARY data ..... 5-13  
BINARY output ..... 5-2  
bit structure ..... 3-7  
brightness ..... 4-14  
burnout detection ..... 4-21  
byte output order ..... 4-29

## C

calibration correction ..... 4-11  
calibration correction mode ..... 4-26  
calibration set points ..... 4-26  
channel number ..... 4-9  
chart speed ..... 4-9, 4-13  
checksum ..... 4-29  
checksum value ..... 5-3  
closes the instrument ..... 4-31  
command  
AC ..... 4-28  
AK ..... 4-28  
BD ..... 4-14  
BO ..... 4-29  
CC ..... 4-30  
close ..... 4-32  
CM ..... 4-18  
con ..... 4-32  
CS ..... 4-29  
DS ..... 4-28  
ESC C ..... 4-31  
ESC O ..... 4-31  
eth ..... 4-32  
FD ..... 4-30  
FE ..... 4-30

FF ..... 4-30  
FR ..... 4-18  
FU ..... 4-31  
FY ..... 4-30  
help ..... 4-32  
host ..... 4-33  
IF ..... 4-29  
ip ..... 4-33  
IS ..... 4-31  
LS ..... 4-28  
MC ..... 4-29  
MP ..... 4-28  
MS ..... 4-28  
net ..... 4-32  
PS ..... 4-28  
quit ..... 4-33  
SA ..... 4-11  
SC ..... 4-13  
SD ..... 4-13  
SE ..... 4-14  
serial ..... 4-33  
SF ..... 4-14  
SG ..... 4-14  
SJ ..... 4-15  
SK ..... 4-15  
SN ..... 4-12  
SO ..... 4-15  
SP ..... 4-13  
SR ..... 4-10  
SS ..... 4-15  
ST ..... 4-14  
SU ..... 4-28  
SV ..... 4-14  
SZ ..... 4-13  
TD ..... 4-15  
TL ..... 4-28  
UA ..... 4-26  
UB ..... 4-23  
UC ..... 4-21  
UD ..... 4-28  
UE ..... 4-27  
UF ..... 4-23  
UG ..... 4-27  
UH ..... 4-27  
UI ..... 4-23  
UJ ..... 4-23  
UK ..... 4-23  
UL ..... 4-23  
UM ..... 4-22  
UN ..... 4-25  
UO ..... 4-22  
UP ..... 4-22  
UQ ..... 4-26  
UR ..... 4-22  
US ..... 4-25  
UT ..... 4-24  
UY ..... 4-29  
VA ..... 4-19  
VB ..... 4-11  
VC ..... 4-18  
VD ..... 4-16  
VF ..... 4-14  
VG ..... 4-29  
VH ..... 4-18

## Index

- VL ..... 4-11  
VM ..... 4-19  
VP ..... 4-19  
VR ..... 4-14  
VT ..... 4-13  
XA ..... 4-20  
XB ..... 4-21  
XE ..... 4-27  
XI ..... 4-21  
XJ ..... 4-21  
XN ..... 4-23  
XQ ..... 4-24  
XR ..... 4-24  
XT ..... 4-23  
YA ..... 4-25  
YB ..... 4-25  
YC ..... 4-29  
YD ..... 4-26  
YE ..... 4-27  
YK ..... 4-26  
YN ..... 4-25  
YQ ..... 4-26  
YS ..... 4-24  
command syntax ..... 4-1  
command-response rule ..... 4-2  
communication input data ..... 4-9, 4-18  
computation error ..... 4-25  
computing equation ..... 4-15  
connection (ethernet) ..... 2-2  
connection (RS-422A/485) ..... 3-2  
connection example (RS-422A/485) ..... 3-3  
connection information ..... 4-32  
connection status of the Ethernet interface ..... 2-7  
constant ..... 4-9, 4-15  
control commands ..... 4-5  
conventions ..... iv  
converter ..... 3-5  
copying & pasting a character string ..... viii
- D**
- data display screen ..... 4-16  
data length ..... 3-15  
date and time ..... 4-13  
date format ..... 4-23  
decimal point position ..... 4-30  
decimal point position output ..... 5-7  
default gateway ..... 2-6  
deleting a character ..... vii  
deleting an entire character string ..... viii  
delimiter ..... 4-2  
disconnects an Ethernet connection ..... 4-30  
disconnects the connection ..... 4-32, 4-33  
display ..... v  
DNS ..... 2-6, 4-25  
DNS server ..... 2-6  
domain name ..... 2-5, 4-25  
domain suffix ..... 2-6  
dot color ..... 4-21  
dot printing interval ..... 4-13  
DST ..... 4-15
- E**
- end printout ..... 4-19, 4-27  
entering basic setting mode ..... vi  
entering characters ..... vii  
entering values ..... vii  
error messages ..... App-6  
ESC key ..... vi  
Ethernet interface ..... 2-1  
Ethernet statistical information ..... 4-32  
execution mode ..... 4-28  
execution modes ..... vi, 4-3  
exiting from basic setting mode ..... viii  
exits from basic setting mode ..... 4-27  
extended functions ..... 4-23
- F**
- FIFO ..... App-2  
FIFO data ..... 4-30, 5-13  
filter (status information) ..... 6-1  
first-in-first-out ..... App-2  
flag ..... 5-3, 5-14  
frequently used parameters ..... 4-7  
functional construction (ethernet) ..... 1-1  
functional construction (RS-422A/485) ..... 1-4
- H**
- help ..... 4-32  
hold register ..... 3-12  
host name ..... 2-5, 4-25, 4-33
- I**
- identifier ..... 5-3  
indicator ..... 2-7  
initializes settings ..... 4-29  
input file ..... 4-14  
input filter ..... 4-23  
input range ..... 4-7, 4-10  
input register ..... 3-9  
inserting characters ..... vii  
instrument information output commands ..... 4-6  
instrument information server ..... 1-2  
interval for acquiring data to the FIFO buffer ..... 4-18  
IP address ..... 2-5, 4-25, 4-33  
items to be printed ..... 4-22
- K**
- keepalive ..... 1-3, 2-12, 4-26  
key operations ..... vi  
keys ..... v
- L**
- language ..... 4-23  
list (setting information) printout ..... 4-28  
log into the recorder ..... App-4  
login function ..... 1-3, 2-9, 4-26  
lot number ..... 4-18
- M**
- maintenance/test commands ..... 4-6  
maintenance/test server ..... 1-2  
manual print ..... 4-28  
maximum number of simultaneous connections ..... 2-1

measured/computed data .....	4-30
measured/computed data output .....	5-8
menu selection .....	4-27
message .....	4-14, 4-28
message format .....	4-19, 4-27
message printout buffer .....	4-29
Modbus .....	1-4, 3-8
Modbus error response .....	3-13
moving average .....	4-14, 4-23
multiple negative responses .....	5-1

## N

negative response .....	5-1
network statistical information .....	4-32

## O

opens the instrument .....	4-31
operation mode .....	vi
output commands .....	4-5

## P

parameters .....	4-1
parity check .....	3-15
partial expanded recording .....	4-13, 4-23
password .....	2-9
pen offset compensation .....	4-22
periodic printout interval .....	4-22
port number .....	2-1
protocol .....	2-1

## Q

query .....	4-2
-------------	-----

## R

rear panel .....	v
receive buffer .....	3-7
record position .....	4-26
recording on/off .....	4-14
relay number .....	4-9
remote control input .....	4-24
remote control input terminal .....	4-9
report data .....	4-22, 4-29
report data output .....	5-10
response .....	4-2
revisions .....	i
RJC .....	4-21
RS-422A/485 communication interface .....	3-1
RS-422A/485 dedicated commands .....	4-5
RS-422A/485 dedicated commands and responses .....	5-5
RS-422A/485 interface .....	4-24
run mode .....	vi, 4-3

## S

secondary chart speed .....	4-14
selecting the setup item and value .....	vi
serial number .....	4-33
setting commands .....	4-3
setting mode .....	vi
setting/basic setting data output .....	5-6
setting/measurement server (ethernet) .....	1-1
setting/measurement server (RS-422A/485) .....	1-4

setup data .....	4-30
setup list (basic setting information) printout .....	4-28
simultaneous users .....	2-1
special data value .....	5-14
square root low-cut .....	4-23
start bit .....	3-7
start printout .....	4-19, 4-27
starts/stops recording .....	4-28
starts/stops/resets computation .....	4-28
statistical computation results .....	4-30
status filter .....	4-29
status information .....	4-31, 6-1
status information (bit structure) .....	6-2
status information output .....	5-12
stop bit .....	3-7
stops the record position adjustment .....	4-29
sub delimiter .....	4-2
subnet mask .....	2-5
sum value .....	5-4
switches the channel .....	4-28
switches the screen .....	4-28
syntax .....	4-1

## T

tag .....	4-14
temperature unit .....	4-23
terminator .....	3-6, 4-2
time printout format .....	4-24
timeout .....	1-3, 4-26
timeout time .....	2-12
timer .....	4-15
TLOG timer .....	4-24
types of responses .....	5-1

## U

unit .....	4-12
unit information .....	4-30
unit information output .....	5-7
user .....	2-9
user information .....	4-31
user information output .....	5-12
user level .....	2-9, 4-3
user name .....	2-9

## Z

zone recording .....	4-13
----------------------	------